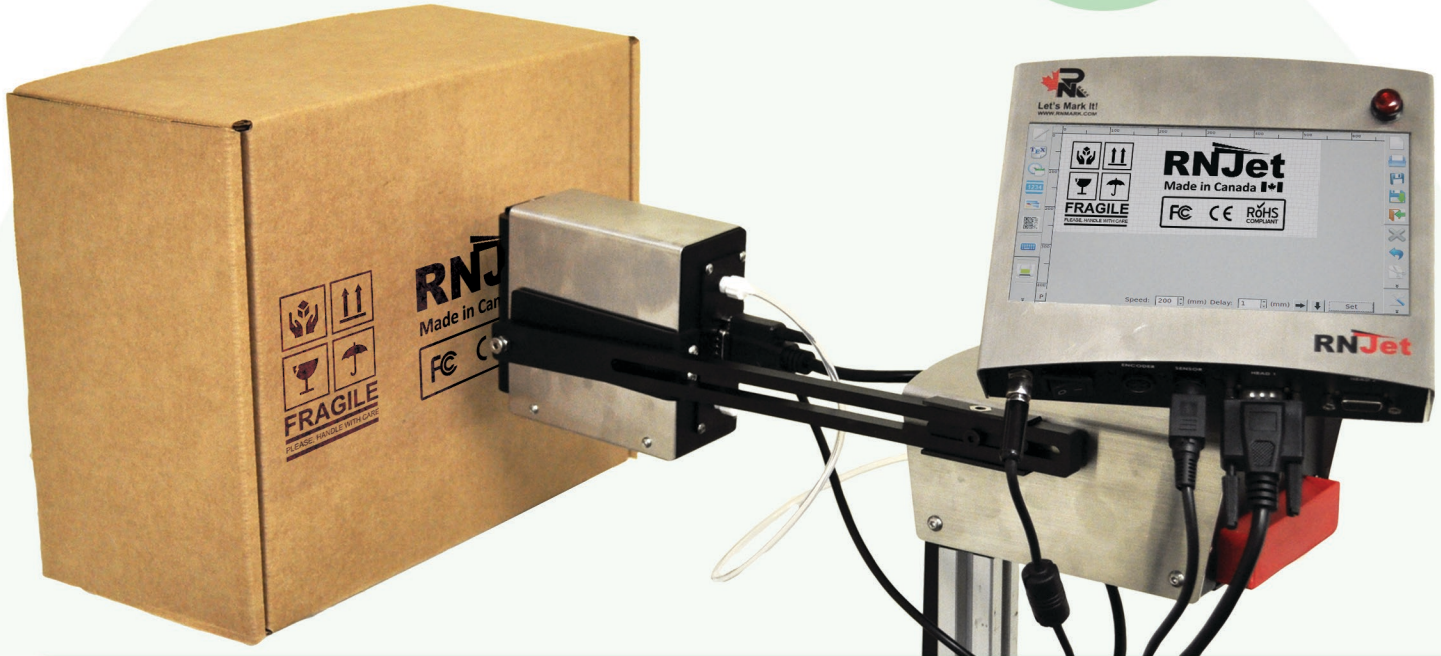




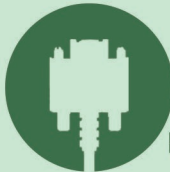
Coding and Marking Solutions
WWW.RNMARK.COM

RNJet Pro

Let's Mark It!



High Resolution Inkjet Printer
Up to 53 mm print height



Data Input
Ports (RS232)
Shaft Encoder
Barcode Scanner



All True Type Fonts & Symbols
Create messages in any language.



Stand-alone Printing
Print messages from USB.



Logos, Graphics, and Barcodes
Import JPEG, BMP, and PNG files.
Create 1D, 2D, & QR codes.



Out of the Box Installation
Compact with low maintenance

Made in Canada 

RNJet Pro

The RNJet Pro is a flexible and economical printer for large character (up to 53 mm) non-contact marking and coding on secondary packaging, cartons and boxes.



Standard Features

- ◆ Print controller with dual head capability
- ◆ Integrated 7" LCD touch screen
- ◆ Photocell Sensor
- ◆ Up to 53 mm (2 inches) print height
- ◆ Print speed up to 100 m/min
- ◆ 8 to 380 pixels font size
- ◆ Low Ink Indicator
- ◆ Prints all Tue Type Fonts and others
- ◆ Prints barcodes or symbol (i.e. UPC)
- ◆ Print count number, shift codes & weights
- ◆ Incremental and decremental numbering
- ◆ Multi-lingual operating system and modes
- ◆ Secure electrical failure restart mode
- ◆ Lead free and RoHS compliance
- ◆ FCC/ CE/ICES
- ◆ 0-45°C operating temperature range
- ◆ 3 kg shipping weight

External Power Specifications

- ◆ 100-240V 50/60Hz 3.3A input voltage
- ◆ 12V 40W maximum output voltage
- ◆ Short circuit protected
- ◆ CE/GS/US UL/CA UL

Data Input

- ◆ Port (RS232)
- ◆ Shaft encoder
- ◆ Barcode Scanner
- ◆ USB Connectivity

Ink

- ◆ 110 ml sealed ink cartridges
- ◆ Up to 15 million characters per cartridge (with 2 mm fonts)
- ◆ Wide variety of colors and ink types
- ◆ Oil-based inks for porous materials
- ◆ Solvent-based for non-porous materials
- ◆ CFIA approved for fast-dry inks
- ◆ Food grade (USDA Approved)

Options

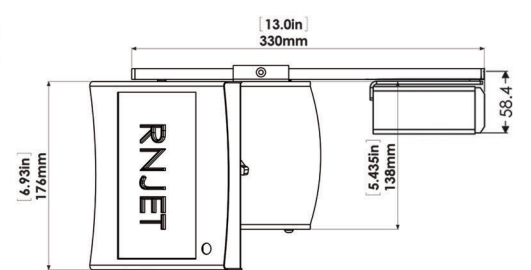
- ◆ Cleaning and maintenance kit
- ◆ Multi-length input sensor and data cables
- ◆ System support stand

Warranty and Service

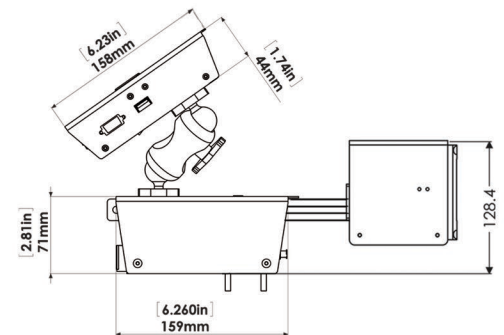
- ◆ One-year warranty on components
- ◆ Extended warranty available



Dimensions (mm)




Top View



Side View



Coding and Marking Solutions
25-16 Sims Cres,
Richmond Hill, ON
L4B 2P1 Canada
Made in Canada 

Tel: 1- (647) 931-7236
Fax: 1-(647) 931-7240
Toll Free: 1 - 866 334 5991
info@rnmark.com
www.rnmark.com