



Coding and Marking Solutions  
WWW.RNMARK.COM

# RNJet

## 100 & 200 Series

### Let's Mark It!



**High Resolution Inkjet Printer**  
Up to 18 mm print height



**Data Input**  
Ports (RS232)  
Shaft Encoder  
Barcode Scanner



**All True Type Fonts & Symbols**  
Create messages in any language.



**Stand-alone Printing**  
Print messages from USB.



**Logos, Graphics, and Barcodes**  
Import JPEG, BMP, and PNG files.  
Create 1D, 2D, & QR codes.



**Out of the Box Installation**  
Compact with low maintenance

Made in Canada 

# RNJet100 & 200 Series



RNJet small character print systems are your flexible and economical alternative to traditional C I J or valve-jet printers which typically require regular and costly service, repair and maintenance. Our Piezo high resolution printing technology is reliable, clean, user-friendly and inexpensive to operate and maintain. Unlike competitive products, printer head replacement is not considered a maintenance cost.

## Standard Features

- ◆ Print controller with dual head capability
- ◆ Integrated 7" LCD touch screen
- ◆ Photocell Sensor
- ◆ 2 to 18 mm print height
- ◆ Print speed up to 100 m/min
- ◆ 8 to 128 pixels font size
- ◆ Low Ink Indicator
- ◆ Prints True Type Fonts and others
- ◆ Prints any barcodes or symbol ie UPC
- ◆ Print count number, shift codes & weights
- ◆ Incremental and decremental numbering
- ◆ Multi-lingual operating system and modes
- ◆ Secure electrical failure restart mode
- ◆ Lead free and RoHS compliance
- ◆ FCC/ CE/ICES
- ◆ 0-45°C operating temperature range
- ◆ 3 kg shipping weight

## External Power Specifications

- ◆ 100-240V 50/60Hz 3.3A input voltage
- ◆ 12V 40W maximum output voltage
- ◆ Short circuit protected
- ◆ CE/GS/US UL/CA UL

## Data Input

- ◆ Ports (RS232)
- ◆ Shaft encoder
- ◆ Barcode Scanner
- ◆ USB Connectivity

## Ink

- ◆ 110ml sealed ink cartridges
- ◆ Up to 15 million characters per cartridge (with 2 mm fonts)
- ◆ Wide variety of colors and ink types
- ◆ Oil-based for porous materials
- ◆ Solvent-based for non-porous materials
- ◆ CFIA approved for fast-dry inks
- ◆ Food grade (USDA Approved)

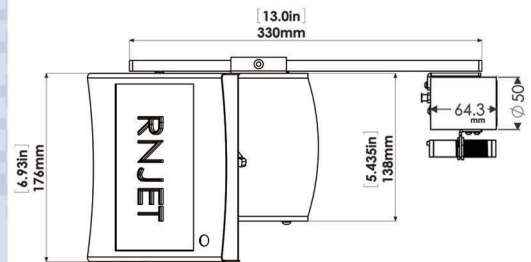
## Options

- ◆ Cleaning and maintenance kit
- ◆ Multi-length input sensor and data cables
- ◆ System support stand

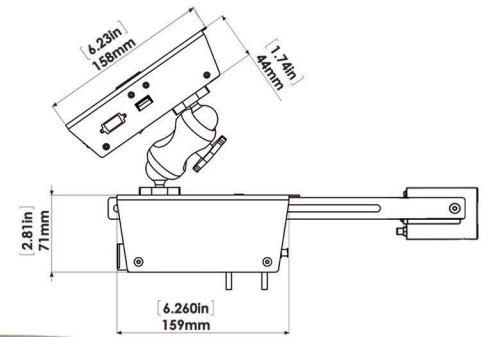
## Warranty and Service

- ◆ One-year warranty on components
- ◆ Extended warranty available

## Dimensions



Top View



Side View



Coding and Marking Solutions  
25-16 Sims Cres,  
Richmond Hill, ON  
L4B 2P1 Canada  
Made in Canada

Tel: 1- (647) 931-7236  
Fax: 1-(647) 931-7240  
Toll Free: 1 - 866 334 5991  
info@rnmark.com  
www.rnmark.com