

# **VIDEOJET EXCEL<sup>®</sup>**

## **170i Printer Illustrated Parts Breakdown**

P/N 365808-01  
Rev BE 10/02

*Please place this Illustrated Parts Breakdown in the Chapter 9 and Chapter 10 location in your Service Manual. It has been removed to allow for frequent picture and part number updates.*



*For additional information, contact your local Marsh product distributor at:*



**800-843-3610 • [www.videojet.com](http://www.videojet.com) • [info@videojet.com](mailto:info@videojet.com)**

Videojet Technologies Inc. • 1500 Mittel Boulevard  
Wood Dale IL • 60191-1073 • USA  
Phone: 630-860-7300 • Fax: 630-616-3623

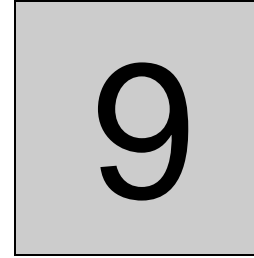
**sorim**

**DISTRIBUTEUR EXCLUSIF – AFRIQUE DE L'OUEST**

15 BP 687 ABIDJAN 15 - R.C.I  
TEL : +225-21-75-89-05  
FAX : +225-21-27-14-64  
MAIL : [sorim@aviso.ci](mailto:sorim@aviso.ci)

©Copyright 2002 by **Videojet Technologies Inc.**  
All rights reserved. No part of this book may be reproduced  
or utilized in any form or by any means, electronic or mechanical, including photocopying,  
recording or by any information storage and retrieval system, without written permission.

Inquires should be addressed to **Videojet Technologies Inc.**  
Wood Dale, IL 60191



## Illustrated Parts Breakdown

---

In this chapter you will find a list of the replacement parts available for the **VIDEOJET**<sup>®</sup> EXCEL 170i printer.

Refer to page 9-2 for a chapter-level Table of Contents.

## Chapter 9 Contents

<b>Introduction .....</b>	<b>9-3</b>
Parts Lists .....	9-3
"SP" Part Numbers .....	9-3

### Replacement Parts Illustrations

Generic EXCEL <sup>®</sup> printer, Sheet 1 .....	9-4
Generic EXCEL <sup>®</sup> printer, Sheet 2 .....	9-5, 9-6
Generic EXCEL <sup>®</sup> printer, Sheet 3 .....	9-7
Control Board .....	9-11
EXCEL <sup>®</sup> 170i Hydraulic/Pneumatic Assembly, Sheet 1 .....	9-12
EXCEL <sup>®</sup> 170i Hydraulic/Pneumatic Assembly, Sheet 2 .....	9-13
Ink Cylinder/Switch Assembly .....	9-16
Ink Module Assembly .....	9-18
Cap and Stem Assembly .....	9-20
Air Manifold Assembly .....	9-22
Ink Air Manifold Assembly .....	9-24
Gauge Door Assembly .....	9-26
Printhead Assembly .....	9-28
Printhead Assembly Detail .....	9-29
Cable and Duct Assembly .....	9-31
Cable and Duct Assembly Detail .....	9-32
Printhead Deck Assembly Detail .....	9-35

***Note: If you received this IPB as a replacement IPB, you may have an older style ink module assembly. To order replacement parts for this older style ink module, refer to the page number shown below. If you received this IPB with your printer, disregard this section.***

<b><i>EXCEL 170i Ink Module Assembly (Older Models ONLY) .....</i></b>	<b>9-36</b>
--	-------------

## Introduction

This chapter contains all part numbers necessary to order EXCEL 170i printer replacement parts and assemblies.

### Parts Lists

This illustrated parts breakdown is presented in disassembled order. Detail parts are shown below their respective upper level assemblies whenever possible.

The parts lists follow the illustration for a particular assembly and represent the field replaceable components of that assembly. The number listed in the quantity column is the number of the specific part required to complete the assembly and may not reflect the quantity needed for the entire system.

Bills of materials are divided into four columns. The item/index numbers refer to the identification number located on the drawing. The part number is the **Videojet** part number, used to identify the part for ordering. The part description column lists each part name, and the quantity column lists the quantity of that part used in that particular assembly.

Illustrations are shown before the parts list for each assembly. Some assembly illustrations require more than one page.

*If you received this IPB as a replacement IPB, refer to the Table of Contents on the previous page to ensure that you refer to the correct ink module assembly.*

### “SP” Part Numbers

Where a part number is designated “SP”, it is a specially packaged repair or replacement part. Be sure to refer to the “SP” when ordering parts from **Videojet Technologies Inc.** that are marked “SP” in the parts list.

**Note:** Order parts by part number and not item/index number. The item/index number columns refer to the unique callout for the illustration for each list.

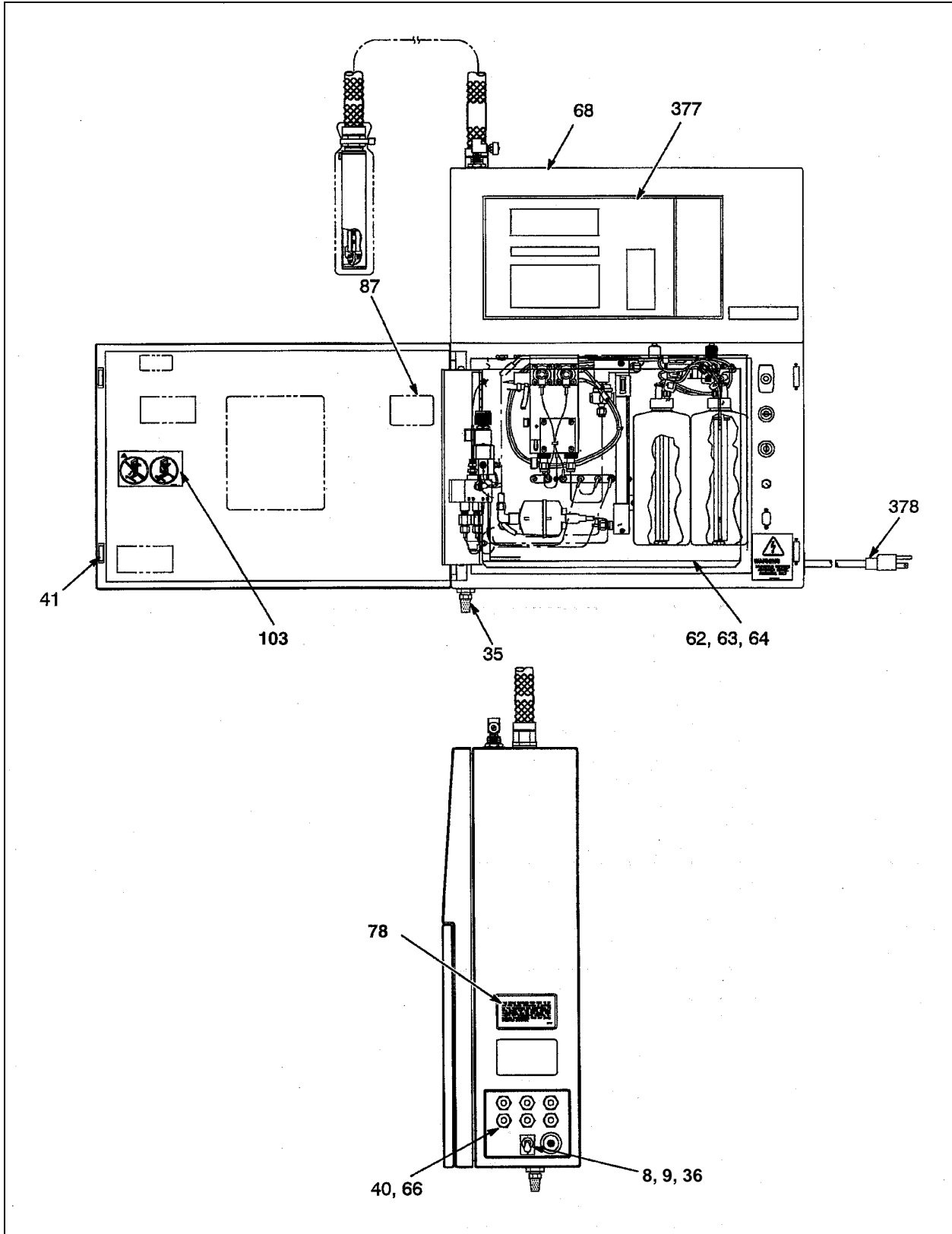


Figure 9-1. Generic EXCEL<sup>®</sup> Printer, Sheet 1

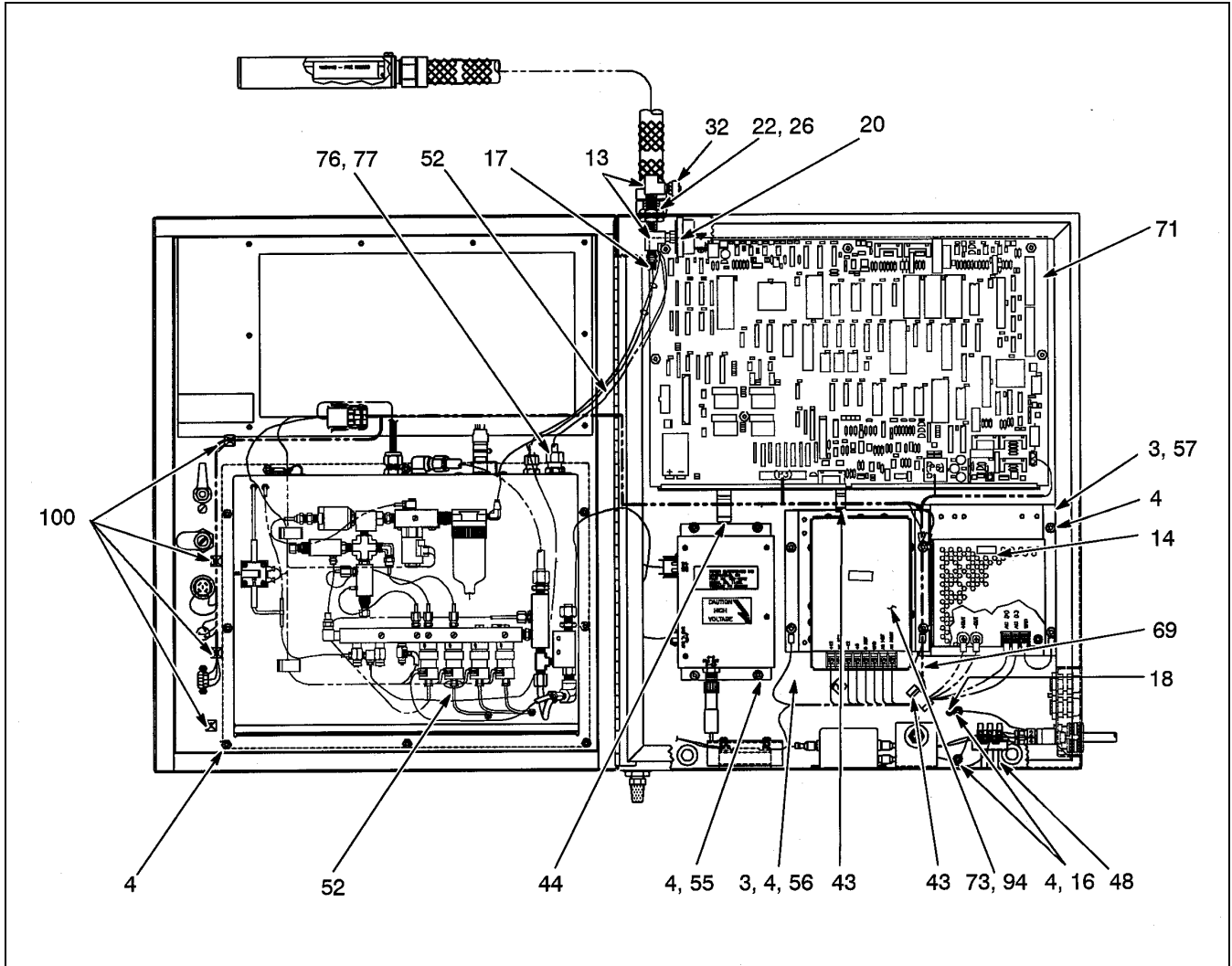


Figure 9-2. Generic EXCEL® Printer, Sheet 2

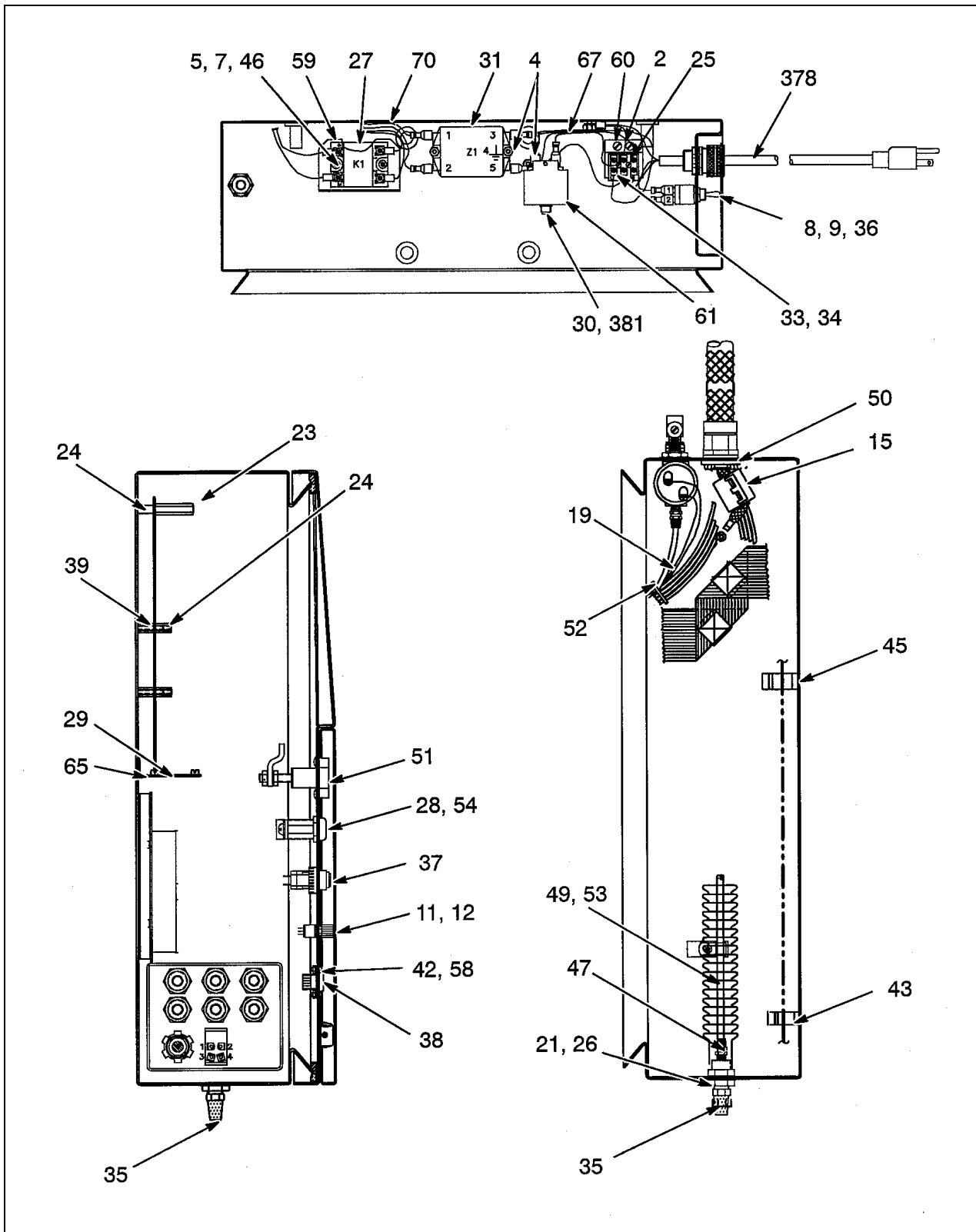


Figure 9-3. Generic EXCEL® Printer, Sheet 2 (continued)



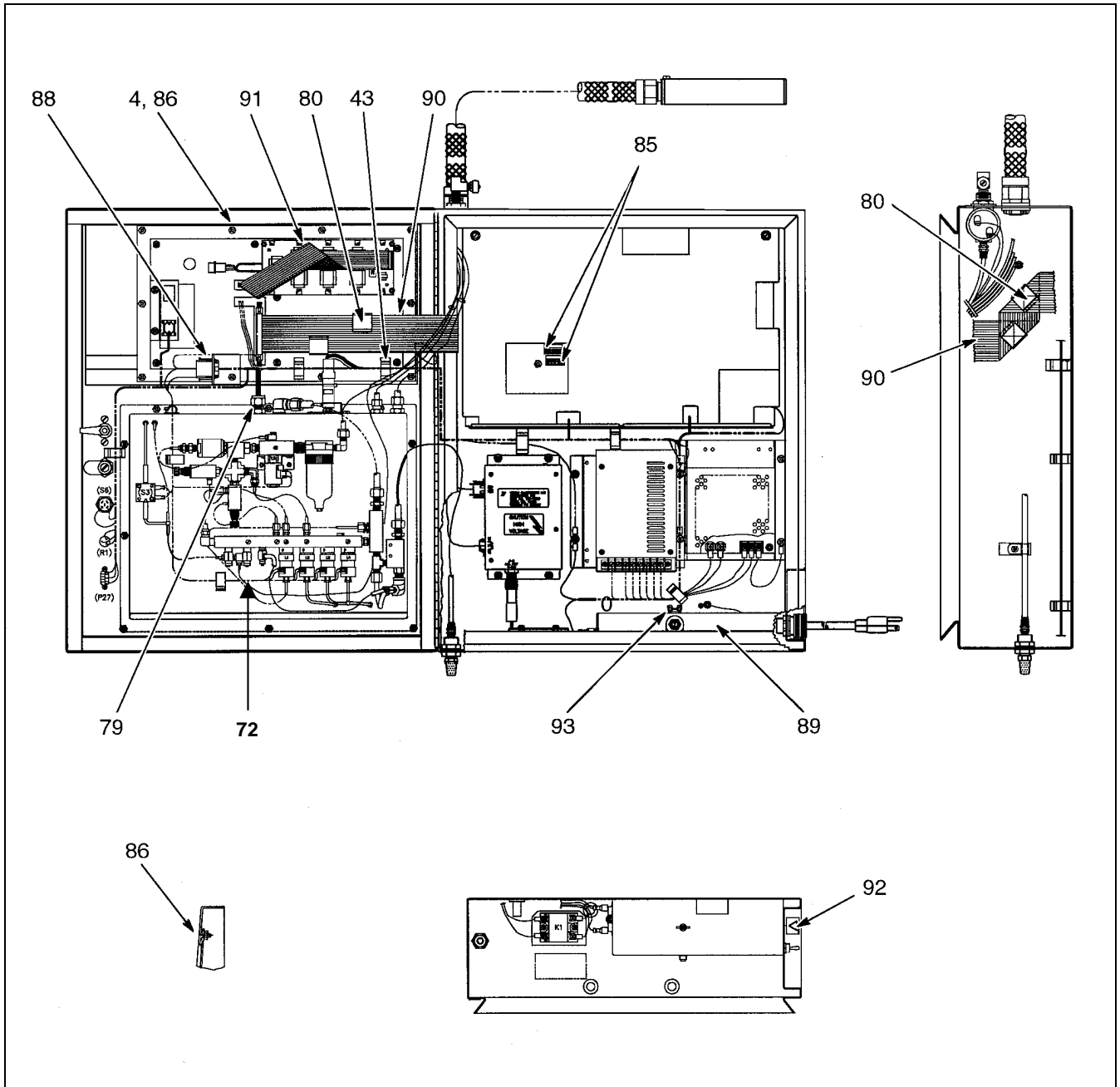


Figure 9-4. Generic EXCEL<sup>®</sup> Printer, Sheet 3

<b>Complete EXCEL 170i Printer (Refer to Figure 9-1, Figure 9-2, Figure 9-3, and Figure 9-4.)</b>	
<b>Part Number</b>	<b>Description</b>
371145	PRINTER, COMPLETE, GENERIC, EXCEL 170I

<b>Complete EXCEL 170i Printer - Parts List</b>			
<b>Item</b>	<b>Part Number</b>	<b>Description</b>	<b>Quantity</b>
1	001606	SCREW, MACH, PNHD, PHLP, 8-32 3/8 LG	1
2	001661	SCREW, MACH, PNHD, PHLP, 6-32 1/4 LG	2
3	001681	SCREW, MACH, SEMS EXT, 6-32 1/4 LG	8
4	014811	NUT, HEX, 4-40	44
5	100319	SCREW, MACH, PNHD, POZ, 8-32 1/4 LG	2
7	190726	WASHER, FLAT, .0299 .182 ID	2
8	200162	SWITCH, FACE PLATE, .468, "I/O"	1
9	209025	SWITCH, TOG, DPST, 15/32-32 THRD, VDE AP	1
11	201911	WASHER, NEOPRENE, 1/4 ID, 3/8 OD	1
12	201987	KNOB, BLACK PLASTIC, 1/2"	1
13	202129	FITTING, PIPE, STRT T, BRSS, 1/8 NPT	2
14	SP209077	POWER SUPPLY	1
15	202306	CLAMP, CABLE, 3/8 ID	1
16	202976	WASHER, LOCK EXT. #8	3
17	209184	FITTING, TUBE, ML CNNCTR, 1/4OD	1
18	360414	LABEL, GROUND DECAL	1
19	203777	TUBING, POLYETHYLENE, 1/4 OD	1
20	SP204447	SWITCH, PRESSURE, ML CONN, 60 PSIG	1
21	204477	FITTING, BULKHEAD, 1/4 NPT 1L	1
22	204478	FITTING, BULKHEAD, 1/8 NPT 1L	1
23	204508	STANDOFF, HEX, THRD 8-32 1-1/2 L	3
24	209456	STANDOFF, HEX, 8-32, 5/8 LG BRASS	6
25	204826	SCREW, MACH, PNHD, PHLP, 4-40 5/8 LG	2
26	204922	WASHER, PLAIN, FIBRE, .755 ID	4
27	205295	RELAY, SOLID STATE, AC, 250 VRMS 10 AM	1
28	209326	LOCK, CAM KEYED, 3/4 DIA CYLINDER	1
29	205511	GUIDE, PCB CARD, 8 LG, FOR 1/16 THK	4
30	207551	CIRCUIT BREAKER, SINGLE POLE, 250 VAC	1
31	205931	FILTER, POWER LINE, RFI/EMI, 115/250 V	1
32	206010	VALVE, RELIEF, 1/8 NPT, .98 OVRAL LG	1

<b>Complete EXCEL 170i Printer - Parts List (continued)</b>			
<b>Item</b>	<b>Part Number</b>	<b>Description</b>	<b>Quantity</b>
33	206036	BLOCK, TERMINAL, 3 POS, 10MM CTRS	1
34	206037	LABEL, STRIP, MARKING, L, N	1
35	206041	MUFFLER, AIR, PNEUMATIC EXHAUST	1
36	209096	BOOT, TOGGLE, SWITCH, 15/32-32 NS-2B T	1
37	209327	SWITCH, KEYLOCK, 5 DISK, 2 POS, 4 AMP	1
38	206048	CAP, NON THREADED, 9 PIN 'D', BLACK	1
39	206059	SPACER, 5/16 OD X 11/64 ID X 5/8 LG	3
40	206061	FITTING, NUT & SLEEVE, 1-11/32 LGTH	6
41	206062	MAGNET, PERMANENT, DOOR CATCH	2
42	206063	SCREW, MACH, PNHD, SLTD, 4-40 1/4 LG	2
43	206143	CLAMP, CABLE, .5 X 1 X .520 HI, BLACK	10
44	206144	CABLE, CLAMP, .625 X 1.25 X .780 HI	3
45	206146	CLAMP, CABLE, 0.5 X 1.250 X .690 HIGH	4
46	206226	SPACER, HEX, THREADED, 8-32 1 L	2
47	206252	FITTING, TUBE ML CNCTR, 3/8 OD	1
48	210708	STANDOFF, HEX, THRD, 8-32 3/4 L	2
49	206804	NUT, SINGLE THREAD, SLF RTNG, U, 8-32	1
50	206996	NUT, LOCK, 1/2 CONDUIT, ZNC PLATED	1
51	207270	LATCH, VISE ACTION, WEATHER SEALED	1
52	250077	TIE, CABLE, NYLON, 7/64 X 3-7/8	7
53	212351	TUBING, POLYETHYLENE, 3/8 OD 26"	2
54	351716	GASKET, LOCK	2
55	SP355026	POWER SUPPLY, DUAL H.V.	1
56	355058	BRACKET, POWER SUPPLY, TRPL OUTPUT	1
57	355059	BRACKET, POWER SUPPLY, AUX, 12V	1
58	355121	GASKET, CONNECTOR	1
59	355123	COVER, RELAY	1
60	355135	BRACKET, MOUNTING, BLOCK, TERMINAL, AS	1
61	355137	BRACKET, MOUNTING, CIRCUIT BREAKER, AS	1
62	355140	GASKET, PAN, FLUIDS (11.88 X .06)	2
63	355141	GASKET, PAN, FLUIDS (15.10 X .06)	1
64	355142	GASKET, PAN, FLUIDS (16.16 X .06)	1
65	355143	SHELF, SUPPORT	1
66	355148	PLUG, FITTING, BULKHEAD	6
67	355317	HARNESS, CONTROL, A.C.	1
68	375010	CABINET, IP65, ASSEMBLY (XL170i)	1

Illustrated Parts Breakdown

<b>Complete EXCEL 170i Printer – Parts List (continued)</b>			
<b>Item</b>	<b>Part Number</b>	<b>Description</b>	<b>Quantity</b>
69	356165	HARNESS, D.C. & SIGNAL	1
70	356225	HARNESS, DISTRIBUTION, A.C., XL/100	1
71	375080	CONTROL BOARD (Refer to Figure 9-5 on page 9-11.)	1
72	SP371142	PAN ASSEMBLY, HYD/PNEU, (Refer to Figure 9-6 on page 9-12.)	1
73	SP207415	POWER SUPPLY, TRIPLE OUTPUT, DC SWITCH	1
74	207251	FERRITE, AND CASE, ASSY	1
75	202708	TIE, CABLE, 9/64" WD X 11-2/8" LG	1
76	207259	FITTING, TUBE, STRAIGHT, 5/16 DIA	1
77	206765	FITTING, PIPE, LOCK NUT, ¼ NPSL	1
78	207182	LABEL, FCC COMPLIANCE, BLK PRNTNG	1
80	202348	CLAMP, CABLE FLAT, PLASTIC, 26-30 AWG	4
85	206008	BLOCK, TERMINAL, 5 POS, PLUG, SCRW TP	2
86	206188	WASHER, PLAIN, .174 ID, SST	10
87	353111	PLATE, PATENT	1
88	375027	BRACKET, CONNECTOR	1
89	216361	COVER, EXTENDED, A.C.	1
90	355314	HARNESS, INTERFACE, KEYBOARD, ASSY	1
91	355315	HARNESS, CONTROLLER, DISPLAY, ASSY	1
92	356273	LABEL, ATTENTION	1
93	203634	NUT, WING, 8-32	1
94	355327	JUMPER, POWER SUPPLY	1
100	208309	TIE WRAP MOUNT	3
103	371172	LABEL, WARNING, ANTI-TIP, STAND, XL	1
377	SP365656-XX	KEYBOARD/MTG P2 170I	1
	Insert proper language extension at right for XX in above part number	-01 USA/UK, -02 FRANCE, -03 GERMANY, -04 SPAIN, -05 PORTUGUESE, -06 JAPANESE, -08 ITALIAN, -09 DUTCH, -16 FINNISH, -17 SWEDISH, -18 DANISH AND -19 GREEK	
378	375047-01	POWER CORD, U.S.	1
378	375047-02	POWER CORD, EUROPEAN	1

<i>In bag of items included with printer:</i>			
	186514	KEY, HEX, .050	1
	186975	KEY, HEX, 5/16, SHOT ARM	1
	203343	TUBING, POLYETHEYLENE, 1/8 OD	.83 FT.
	355269	MAGNIFIER, LOUPE SUB, ASSY	1

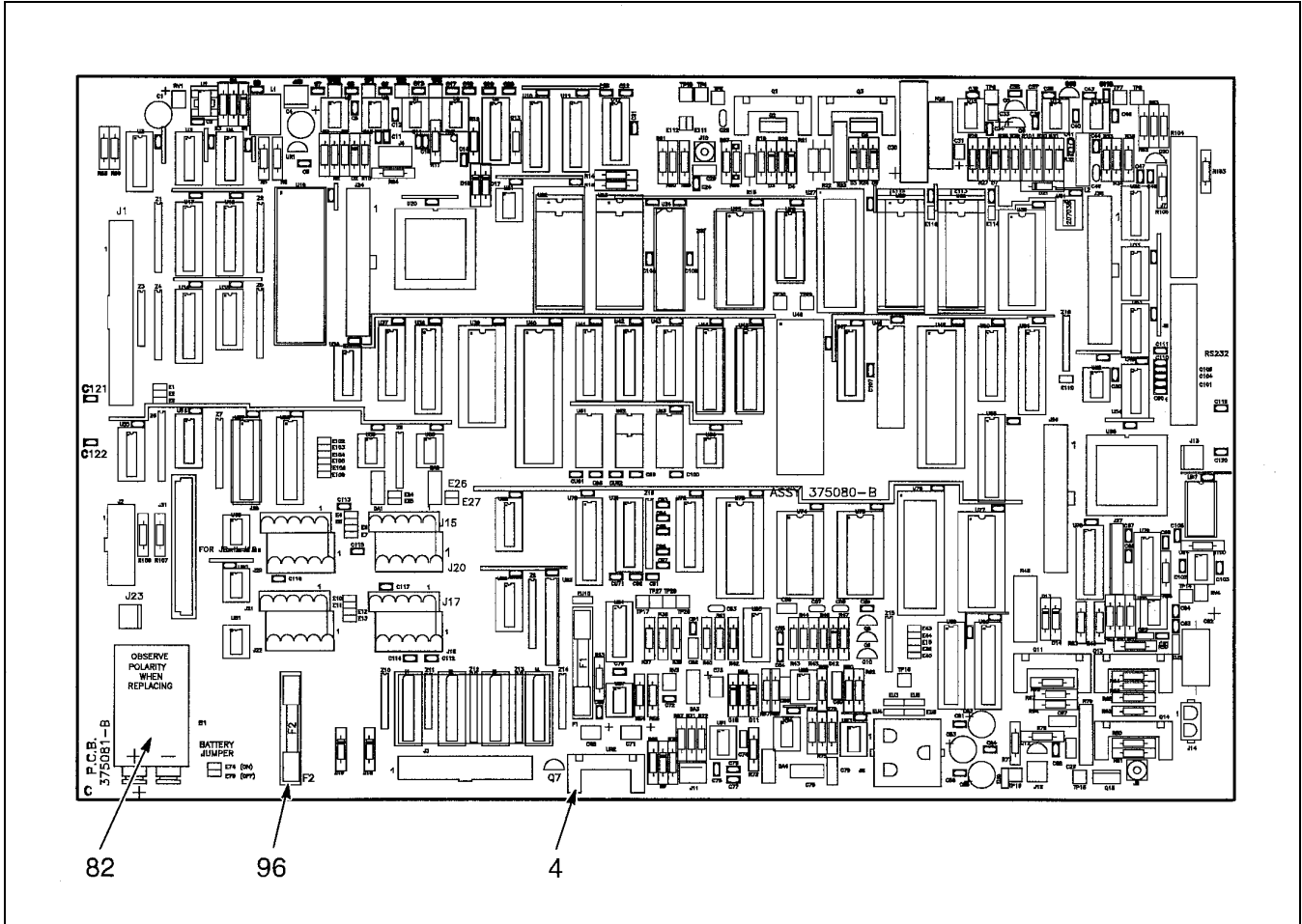


Figure 9-5. Control Board

Control Board (Refer to Figure 9-5.)	
Part Number	Description
375400-xx	Control Board (Refer to Figure 9-2 on page 9-5 for location.)

Item	Part Number	Description	Quantity
4	375080	PROGRAMMED PCB, VERSION 6	1
82	207156	BATTERY, 9.0V, ALKALINE	1
96	200163	FUSE, NRMAL BLO., .05A 250V	2

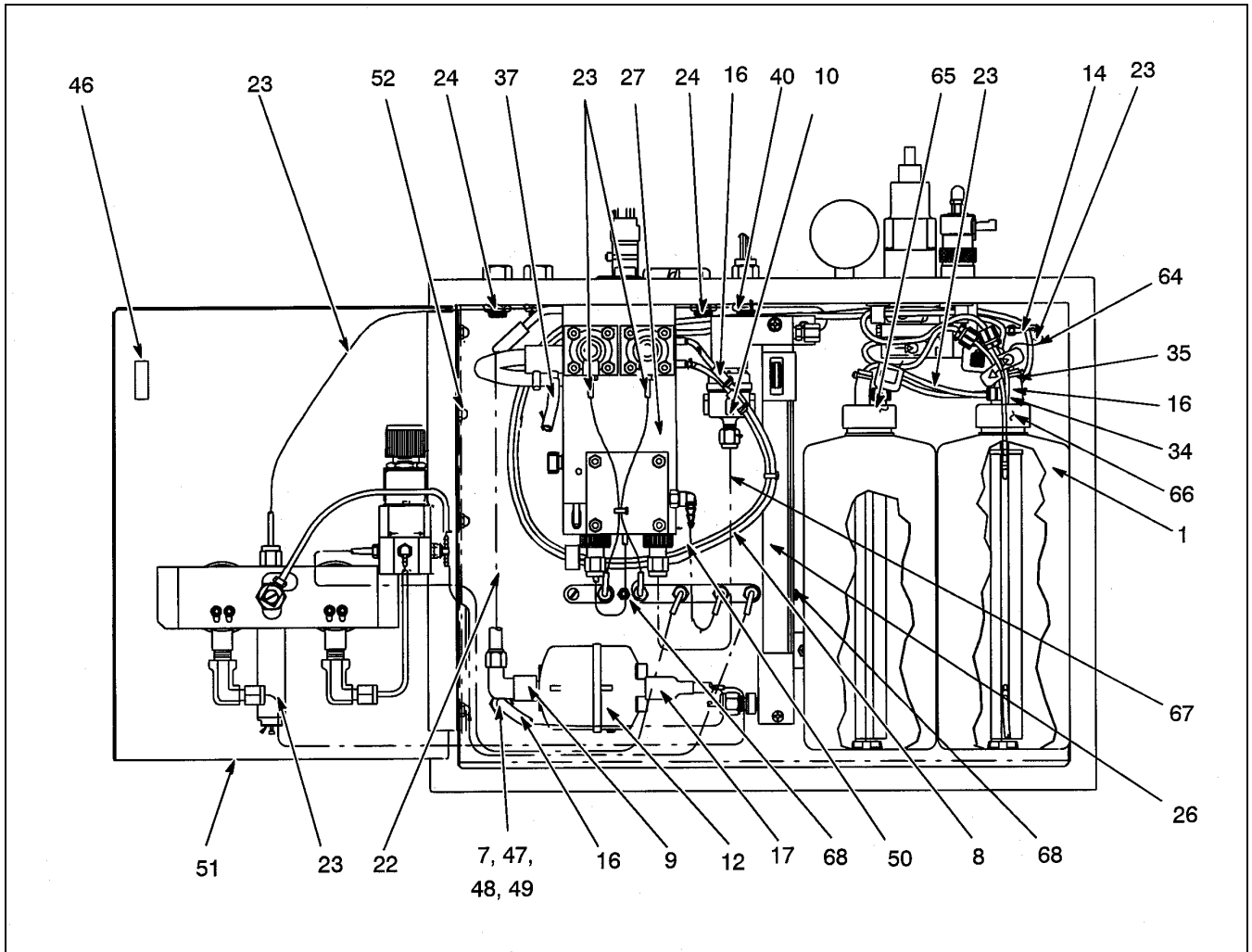


Figure 9-6. EXCEL<sup>®</sup> Hydraulic/Pneumatic Assembly, Sheet 1

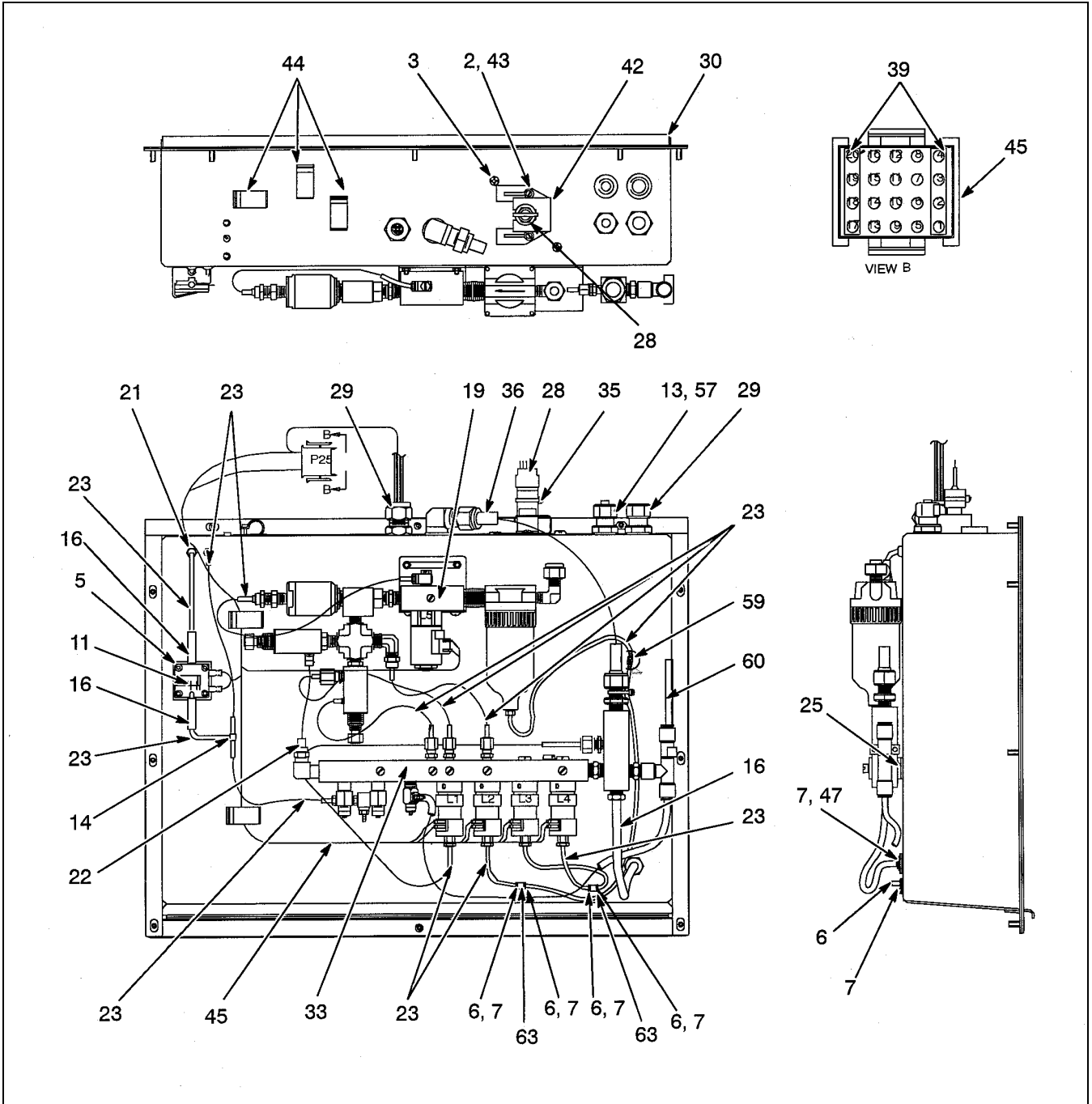


Figure 9-7. Hydraulic/Pneumatic Assembly, Sheet 2

<b>Hydraulic/Pneumatic Pan Assembly (Refer to Figure 9-6 and Figure 9-7)</b>			
<b>Item</b>	<b>Part Number</b>	<b>Description</b>	<b>Quantity</b>
1	090073	BOTTLE (1 QT.)	2
2	201576	SCREW, MACH, 2A THD X 5/16 LG 4-40	2
3	100319	SCREW, MACH, PNHD, POZ, 8-32 1/4 LG	6
4	100326	NUT, HEX, 10-32	2
5	209200	CLIP, MOUNTING W/2-SIDED TAPE	1
6	201844	FITTING, TUBE, BARB, 1/16 X 10-32 M	15
7	212599	GASKET, 3/16 ID	48
8	202549	TUBING, TEFLON, 1/16 ID	22.6 FT.
9	203303	FITTING, TUBE, FML ELBOW, 1/4 OD	1
10	SP375007-01	FILTER, INK, 20 MICRON ABSOLUTE	1
11	SP204446	SWITCH, PRESSURE, SPST	15
12	204667	FILTER, DISPOSABLE, 3 MICRON	1
13	205986	FITTING, TUBE, STRAIGHT, 1/4 DIA	1
14	205987	FITTING, TUBE, BARBED, 1/16 ID, "T"	2
16	204615	TUBING, EXTRUDED, 1/8 ID X 1/4 OD	1.71 FT.
17	205999	TUBING, EXTRUDED, 3/16 ID X .313 OD, SLCN	.08 LG.
19	SP355151	MANIFOLD, AIR INPUT	1
21	250496	GROMMET, RUBBER, .125 ID	2
22	206889	TUBING, EXTRUDED, .170 ID X .250 OD	4.19 FT.
23	251413	TUBING, PLASTIC, 1/8 OD	39.12 FT.
24	205981	FITTING, PIPE, LOCK NUT, 1/8 NPT, BRASS	3
25	355074	GASKET, MANIFOLD	1
26	SP371140	INK CYLINDER AND SWITCH ASSEMBLY <i>(Refer to Figure 9-8 on page 9-18)</i>	1
27	SP390579	INK MODULE ASSEMBLY	1
28	SP356038	CAP AND STEM, MODULE, INK, ASSY <i>(Refer to Figure 9-10 on page 9-22)</i>	1
29	206948	FITTING, TUBE, STRAIGHT, 3/8 DIA	1
30	371715	PAN, FLUIDS, ASSY	1
31	201199	FITTING, TUBE, MALE ELBOW, 3/8 OD	1
33	SP3553788	MANIFOLD, AIR	1
34	374637	BARB, FILTER CAP, MALE LUER LOCK TO 1/8 BARB	2
35	250077	TIE, CABLE	1
36	203344	TUBING, POLYETHYLENE, 3/8 OD	1
37	356148	TUBE, COUPLING	1
38	203322	FITTING, TUBE, FERRULE, FRNT, 1/8 OD	1
39	205953	JUMPER, COMMON, BAR 4 CRT.	2



<b>Hydraulic/Pneumatic Pan Assembly (continued) (Refer to Figure 9-6 and Figure 9-7)</b>			
<b>Item</b>	<b>Part Number</b>	<b>Description</b>	<b>Quantity</b>
40	206765	FITTING, PIPE, LOCK NUT, 1/4 NPSL	2
42	356037	BRACKET, SUPPORT, SW, REED	1
44	206143	CLAMP, CABLE, 0.625 X 0.125 X 0.780 OD	1
45	355316	HARNESS, HYDRAULIC, ASSY	1
46	206407	PLATE, STRIKER, DOOR, ADHSV	1
47	201867	FITTING, TUBE, BARB, 1/8 ID	1
48	201871	FITTING, TUBE, BULKHEAD UNION	1
49	203324	FITTING, TUBE, NUT, 1/8 OD	1
50	204499	TUBE, TEFLON, .032 ID X .125 OD	4.13 FT.
51	SP374535	DOOR, GAUGE, ASSY	1
52	206417	NUT, ACORN, 8-32, STNLS STL	4
54	101234	CLAMP, HOSE	2
65	SP374551	BOTTLE FILTER (MAKE-UP)	1
66	SP374551	BOTTLE FILTER (INK)	1
67	390593	TUBE, TRANSFER .032 ID	1
	390592	TUBE, TRANSFER .067 ID	1
68	208759	NUT, HEX MACHINE SCREW, 8-32, WAXED	2

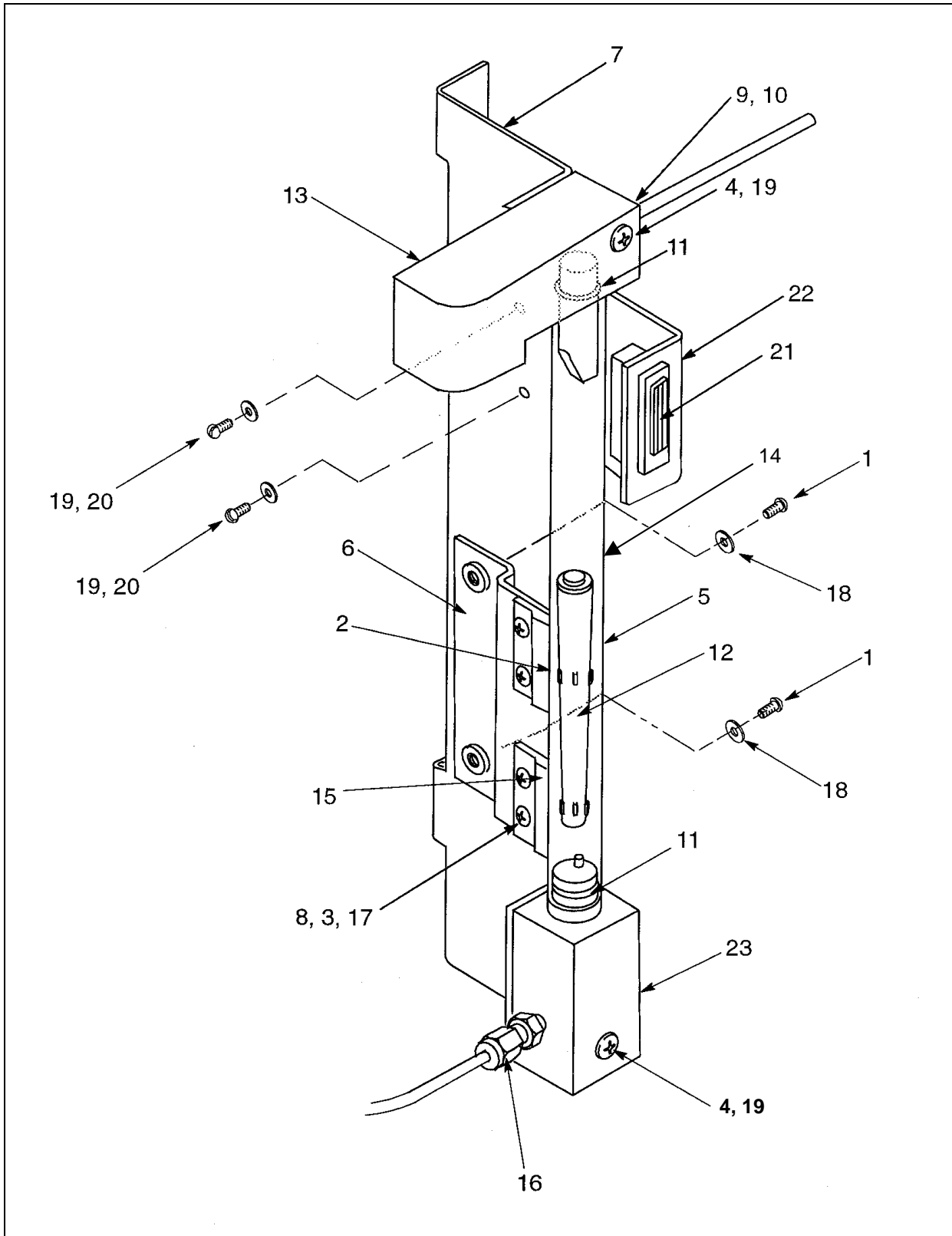


Figure 9-8. Ink Cylinder and Switch Assembly

<b>Ink Cylinder and Switch Assembly (Refer to Figure 9-8.)</b>	
<b>Part Number</b>	<b>Description</b>
SP371140	Ink Cylinder and Switch Assembly (Refer to Figure 9-6 on page 9-12 for location)

<b>Ink Cylinder and Switch Assembly-Parts List</b>			
<b>Item</b>	<b>Part Number</b>	<b>Description</b>	<b>Quantity</b>
1	100319	SCREW, MACH, PNHD, POZ, 8-32 1/4 LG	2
2	356168-01	SWITCH, PRESSURE TANK, S4, ASSY	1
3	207545	ADHESIVE, SEALANT, PNMTC/HYDRLC	A/R
4	205886	SCREW, MACH, PNHD, POZ, 6-32 1-1/8 LG	2
5	205811	TUBING, TEFLON, .500 ID	1
6	355094	BRACKET, SWITCH, ASSY	1
7	356003	BRACKET, MOUNTING, TANK, PRESS, ASSY	1
8	110213	SCREW, MACH, PNHD, POZ, 4-40 5/16 LG	4
9	204476	FITTING CONNECTOR, TBNG, 10-32 1/8 TB	1
10	212599	GASKET, 3/16 ID	1
11	205819	O RING, .364 ID	2
12	SP355034	FLOAT, PRESSURE TANK, ASSEMBLY	1
13	SP371139	CAP, PRESSURE TANK	1
14	356008	SHIELD, PRESSURE TANK	1
15	356168-02	SWITCH, PRESSURE TANK, S5, ASSY	1
16	203473	FITTING, TUBE, ML CNNCTR, 1/8 OD	1
17	193499	WASHER, FLAT, .025 X .125 ID	4
18	190341	WASHER, FLAT, .032 X .203 ID	2
19	201160	WASHER, FLAT, .153 ID	4
20	100357	SCREW, MACH, PNHD, POZ, 6-32 1/4 LG	2
21	206062	MAGNET, PERMANENT, DOOR CATCH	1
22	355290	BRACKET, MAGNET, WELDMENT	1
23	SP356007	CAP, SUB, RESTRICTOR, ASSY	1

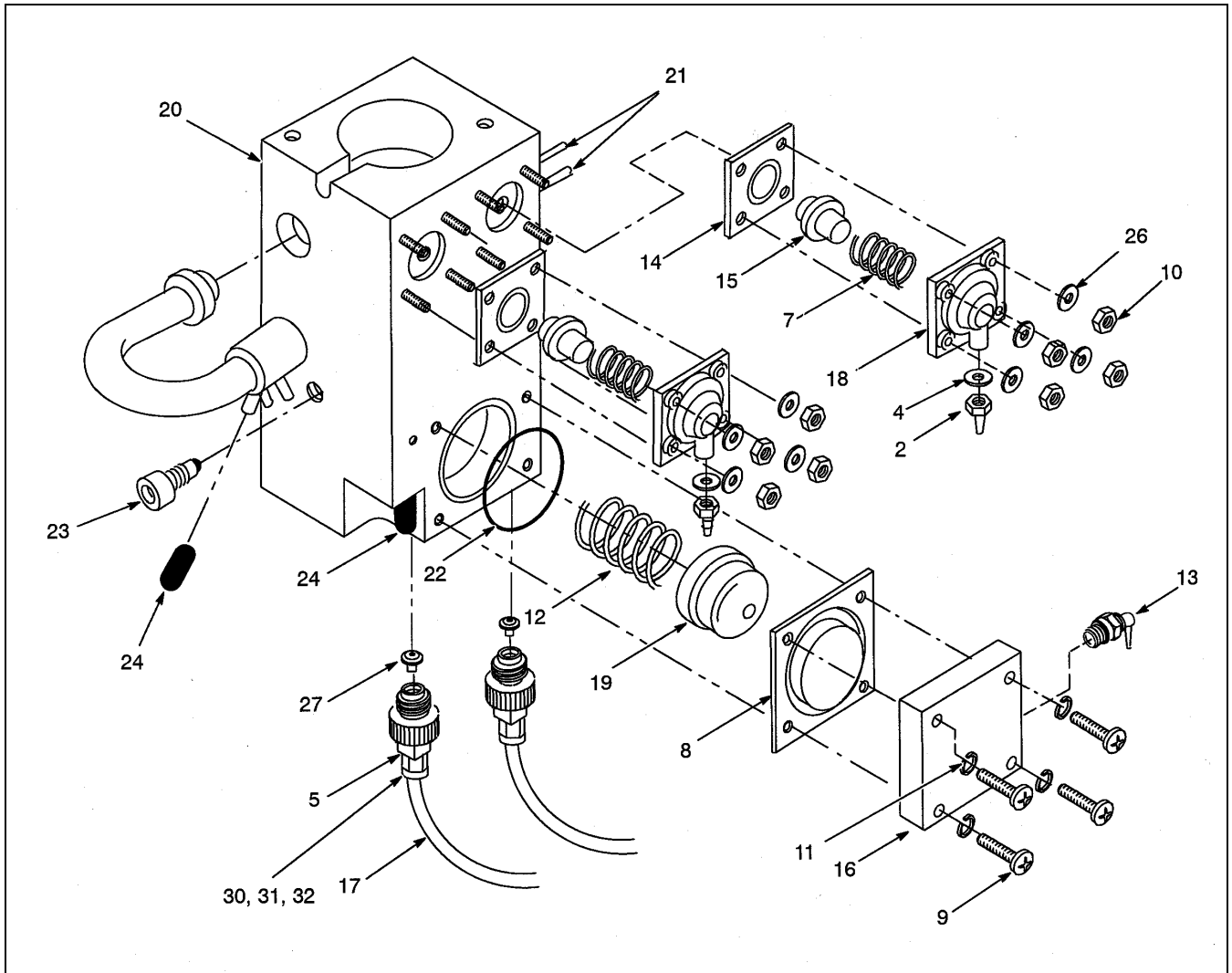


Figure 9-9. Ink Module Assembly (P/N SP390579)

<b>Ink Module Assembly (SP390579) (Refer to Figure 9-9)</b>			
2	209160	FITTING, TUBE	2
4	212599	GASKET SEAL EP	2
5	374809	FITTING, CHECK VALVE	2
7	SP355342	SPRING COMPRESSION	2
8	SP207016	DIAPHRAGM, ROLLING, 2.00 IN. SQ.	1
9	205826	SCREW, 8-32X .87	4
10	208760	NUT, MACH SCREW	8
11	206430	WASHER, LOCK,	4
12	SP205978	SPRING, COMPRESSION, 2-1/2 LG	1
13	208302	SWIVEL, BARBED, ELBOW, FITTING	1
14	SP355611	DIAPHRAGM, VALVE, ADDER	2
15	355609	PUSHER, ADDER	2
16	355046	CAP, DOMED	1
17	202549	TUBING, TEFLON	3.25 IN.
18	355606	CAP, ADDER VALVE	2
19	375003	PISTON, PUMP	1
20	390590	INK MODULE	1
21	206728	TUBING, EXTRUDED (QUANTITY OF 2)	.25 IN.
22	207015	O RING, 1.540 I	1
23	SP374563	PLUG, DRAIN	1
24	206840	CAP, NON TREADED	2
26	193499	WASHER, FLAT	8
27	207407	VALVE, COMBINATION	2
30	203322	TUBE, FERRULE, FRONT	2
31	203323	TUBE, FERRULE, BACK	2
32	203324	TUBE, NUT	2

**Note:** The complete ink module assembly comes with the cap and stem assembly, P/N SP356038 (refer to Page 9-20).

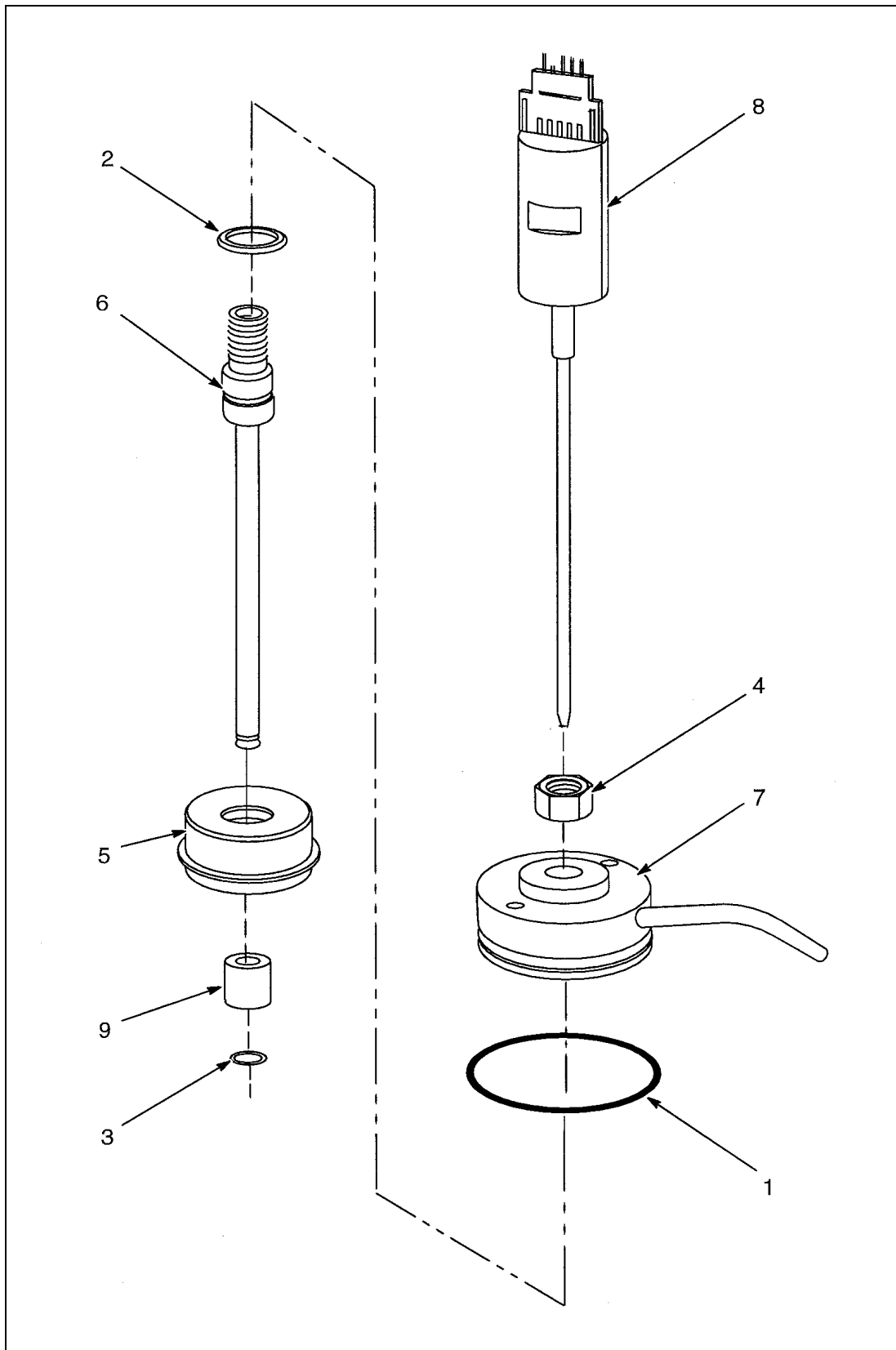


Figure 9-10. Cap and Stem Assembly

<b>Cap and Stem Assembly (Refer to Figure 9-10.)</b>	
<b>Part Numbers</b>	<b>Description</b>
<b>SP356038</b>	CAP AND STEM, MODULE, INK, ASSEMBLY <i>(Refer to Figure 9-6 on page 9-12 location.)</i>

<b>Cap and Stem Assembly-Parts List</b>			
<b>Item</b>	<b>Part Number</b>	<b>Description</b>	<b>Quantity</b>
1	205816	O RING, 1.234 ID, BUTYL	1
2	205820	O RING, .238 ID, BUTYL, LG STEM	1
3	205821	O RING, .145 ID, BUTYL, SM STEM	1
4	001834	NUT, HEX, JAM, 5/16-24	1
5	SP355037	FLOAT, BUFFER, ASSY	1
6	355042	STEM, LONG (3.594 x .17 DIA)	1
7	356039	CAP AND INSERT	1
8	355306	SWITCH, REED, PCB, ASSY	1
9	355109	SPACER, MODULE FLOAT	1

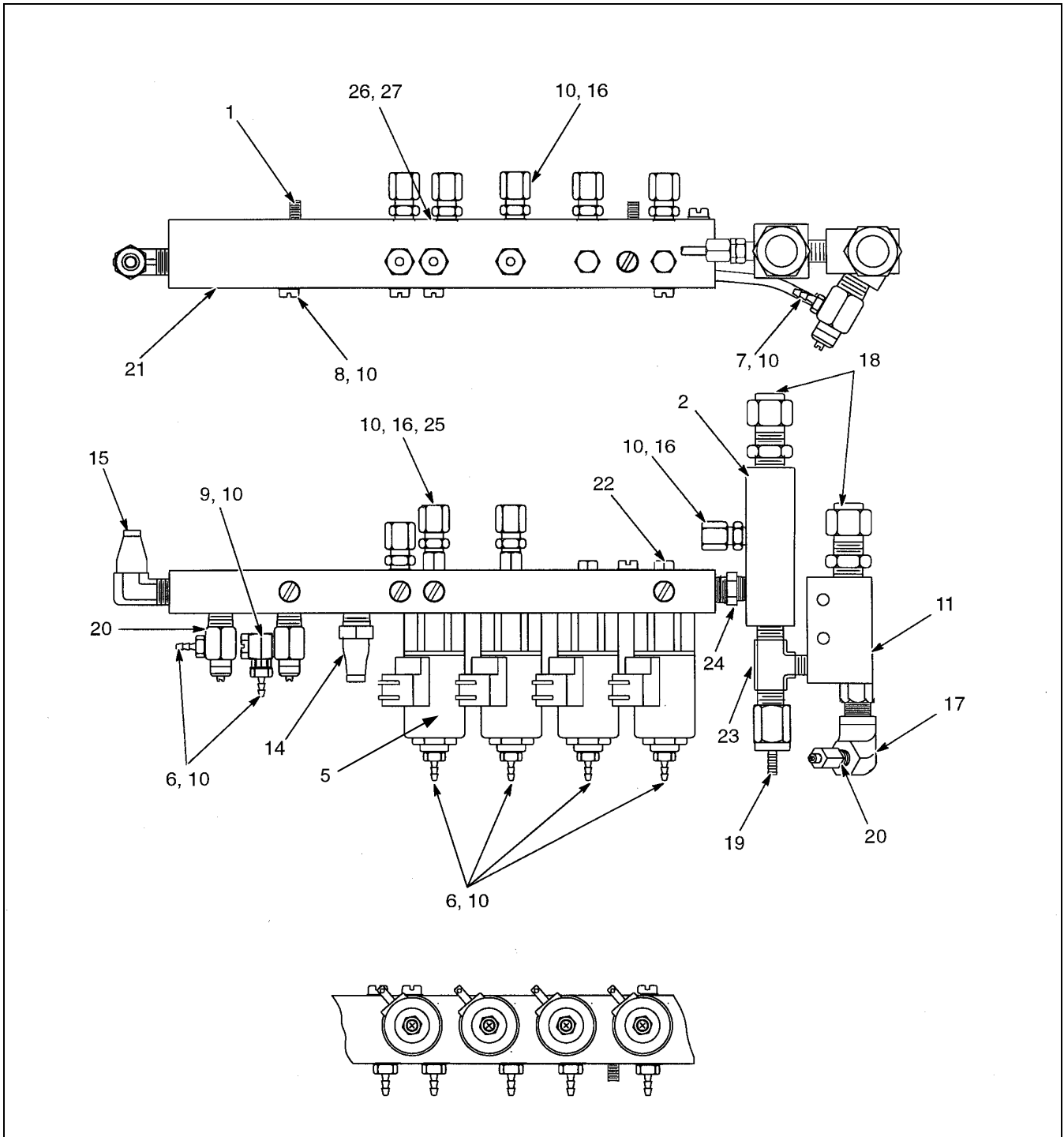


Figure 9-11. Air Manifold Assembly



<b>Air Manifold Assembly (Refer to Figure 9-11.)</b>	
<b>Part Numbers</b>	<b>Description</b>
<b>SP355378</b>	MANIFOLD, AIR, ASSEMBLY <i>(Refer to Figure 9-7 on page 9-13 location.)</i>

<b>Air Manifold Assembly-Parts List</b>			
<b>Item</b>	<b>Part Number</b>	<b>Description</b>	<b>Quantity</b>
1	130036	SCREW, SET, HEX, 8-32 1/2 LG	2
2	SP356047	MANIFOLD, SUB, ASSY	1
5	SP206429	VALVE, SOLENOID, 3 WAY, 12 VDC	4
6	201844	FITTING, TUBE, BARB, 1/16 X 10-32	6
7	201867	FITTING, TUBE, BARB, 1/8 ID	1
8	201868	FITTING, TUBE, PLUG, 5/32	6
9	201870	FITTING, TUBE, ELBOW, ADJ, 10-32	1
10	212599	GASKET, 3/16 ID	23
11	202050	TRANSDUCER, AIR/VAC, 40 PSI, 14 IN HG	1
14	209184	FITTING, TUBE, MALE CONNECTOR, 1/4 OD	1
15	209183	FITTING, TUBE, MALE ELBOW, 1/4 OD	1
16	204476	FITTING CONNECTOR, TUBING, 10-32 1/8 TUBE	9
17	206420	FITTING, PIPE, FEMALE ELBOW, 1/8 NPT	2
18	201864	FITTING, TUBE, MALE CONNECTOR, 1/8 NPT	2
19	205707	FITTING, 1/8 NPT, PIPE	1
20	210606	VALVE, NEEDLE, ADJ, 1/8-27 NPT, MALE	3
21	355073	MANIFOLD, AIR	1
22	208199	FITTING, STUD, VALVE, N.C.	2
23	204605	FITTING, PIPE, MALE TEE, 1/8 NPT	1
24	201865	FITTING, PIPE, NIPPLE, 1/8 NPT	1
25	208200	FITTING, STUD, VALVE	2
26	374611	O RING	1
27	374610	BLEED ORFICE	1

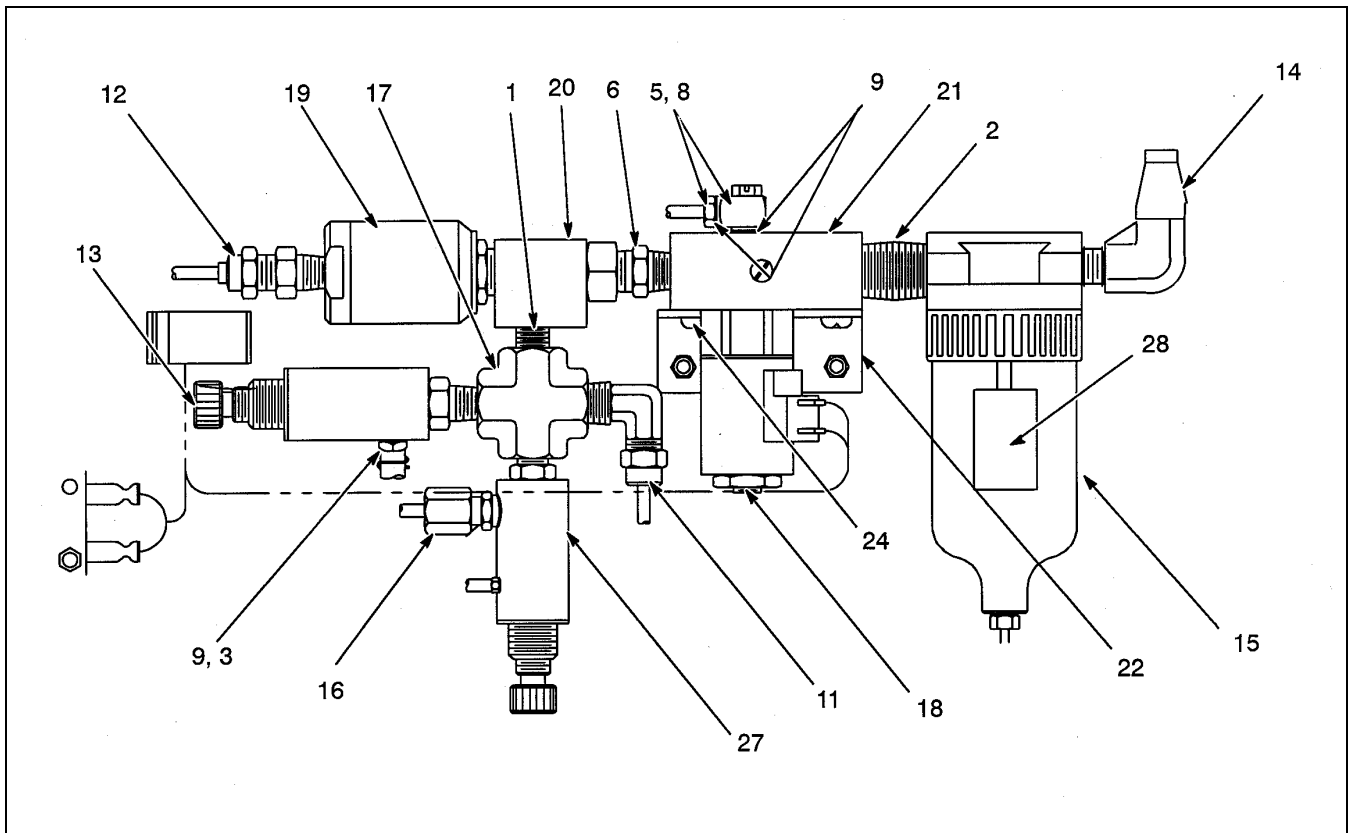


Figure 9-12. Input Air Manifold Assembly

<b>Input Air Manifold Assembly (Refer to Figure 9-12.)</b>	
<b>Part Numbers</b>	<b>Description</b>
<b>SP355151</b>	MANIFOLD, INPUT AIR, ASSEMBLY <i>(Refer to Figure 9-7 on page 9-13 location.)</i>

<b>Input Air Manifold Assembly-Parts List</b>			
<b>Item</b>	<b>Part Number</b>	<b>Description</b>	<b>Quantity</b>
1	201296	FITTING, PIPE, .125	1
2	201297	FITTING, PIPE, .250	1
3	201867	BARD	1
5	201844	FITTING, TUBE, BARB 1/16 X 10-32 M	1
6	201865	FITTING, PIPE, NIPPLE, 1/8 NPT	1
8	201870	FITTING, TUBE, ELBOW, ADJ, 10-32	1
9	212599	GASKET, 3/16 ID	4
11	203278	FITTING, TUBE, MALE ELBOW, 1/4 OD	1
12	203292	FITTING, TUBE, MALE CONNECTOR, 1/8 OD	1
13	SP205995	REGULATOR, AIR, ADJ, 10-32 1/8-27 NPT	1
14	209182	FITTING, TUBE, ML ELBOW, 1/4 OD	1
15	203808	FILTER, AIR, .03 MICRON, W/HOUSING	1
16	204476	FITTING CONNECTOR, TUBING, 10-32 1/8 TB	1
17	205979	FITTING, PIPE, CROSS, FEMALE, 1/8NPT	1
18	SP205991	VALVE, SOLENOID, 3 WAY, 12 V DC, NC	1
19	205992	VALVE, POPPET, AIR/WATER/OIL, 2 WAY	1
20	205993	ACCESSORY, VALVE, AIR PILOT OP, 15-32	1
21	374543	MANIFOLD, ONE POSITION	1
22	355054	BRACKET, MANIFOLD	1
24	110246	SCREW, MACH, PNHD, POZ, 8-32 F/17 LG	2
27	374609	REGULATOR, AIR, TRANSFER 1/8X27 NPT, 10-32	1
28	203115	FILTER	1

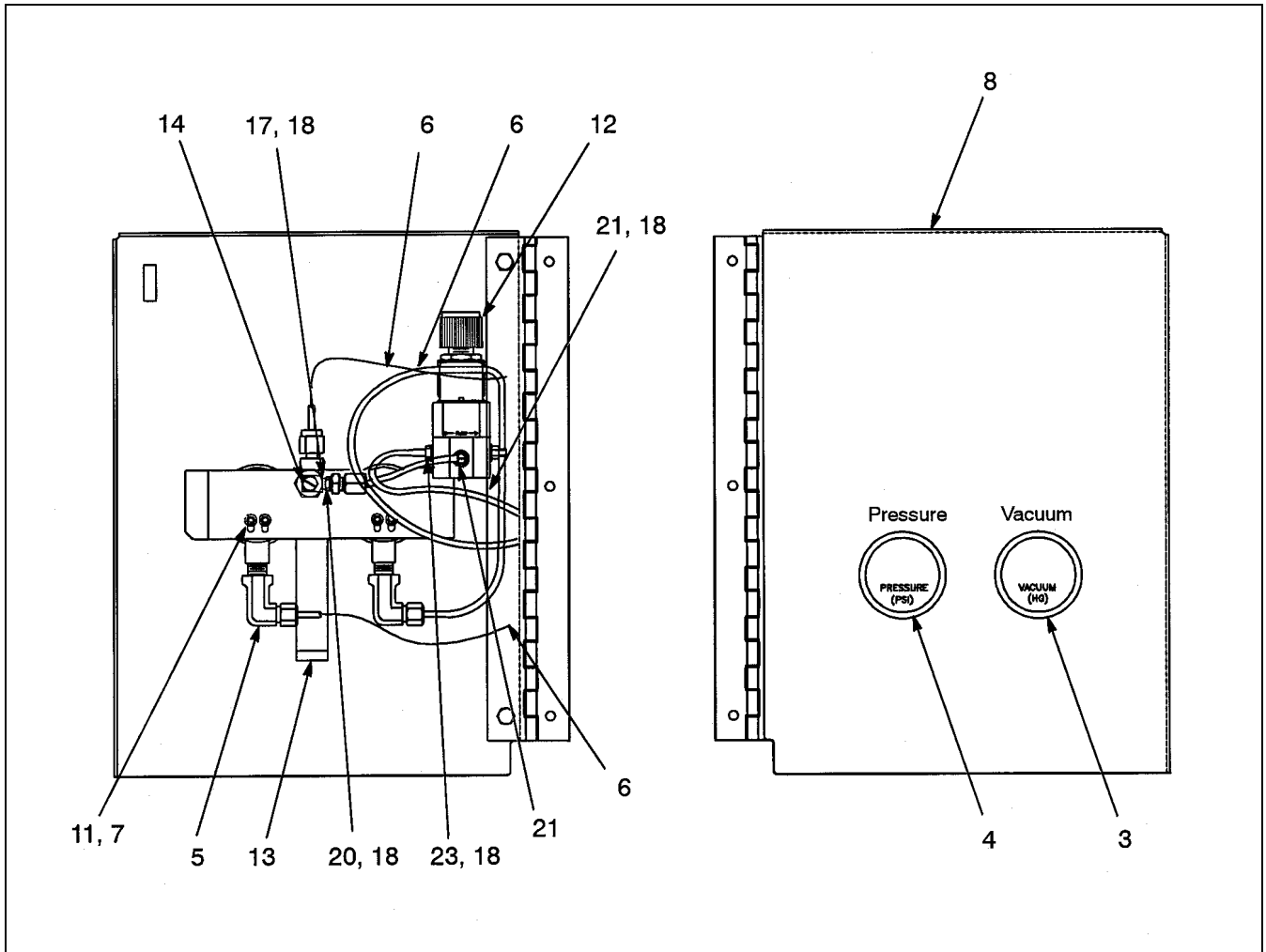


Figure 9-13. Gauge Door Assembly

<b>Gauge Door Assembly (Refer to Figure 9-13)</b>	
<b>Part Numbers</b>	<b>Description</b>
<b>SP374535</b>	DOOR, GAUGE, SST, ASSEMBLY <i>(Refer to Figure 9-6 on page 9-12 for location.)</i>

<b>Gauge Door Assembly - Parts List</b>			
<b>Item</b>	<b>Part Number</b>	<b>Description</b>	<b>Quantity</b>
3	209152	GAUGE, VACUUM, 0-30 HG, BTTM MNT	1
4	209151	GAUGE, PRESSURE, 0-100 PSIG, 1/8 NP	1
5	206318	FITTING, TUBE, ELBOW 1/8 O.D.	2
6	251413	TUBING, PLASTIC, 1/8 OD	3
7	207112	NUT, HEX, 4-40 .062 HIGH	4
8	374541	DOOR, GAUGE, SST, WELDMENT	1
11	193499	WASHER, FLAT, .025 X .125 ID	8
12	SP370682	REGULATOR, PRESSURE, ASSY	1
13	SP356015	TRAP, ASSY	1
14	205981	FITTING, PIPE, LOCK NUT 1/8 NPT, BRASS	1
17	201870	SWIVEL ELBOW	1
18	212599	GASKET, 3/16 ID	2
20	204476	FITTING, CONNECTOR	1
21	208302	BARBED SWIVEL ELBOW	1
22	208303	BARB TEE	1
23	209160	STAINLESS STEEL BARB	1

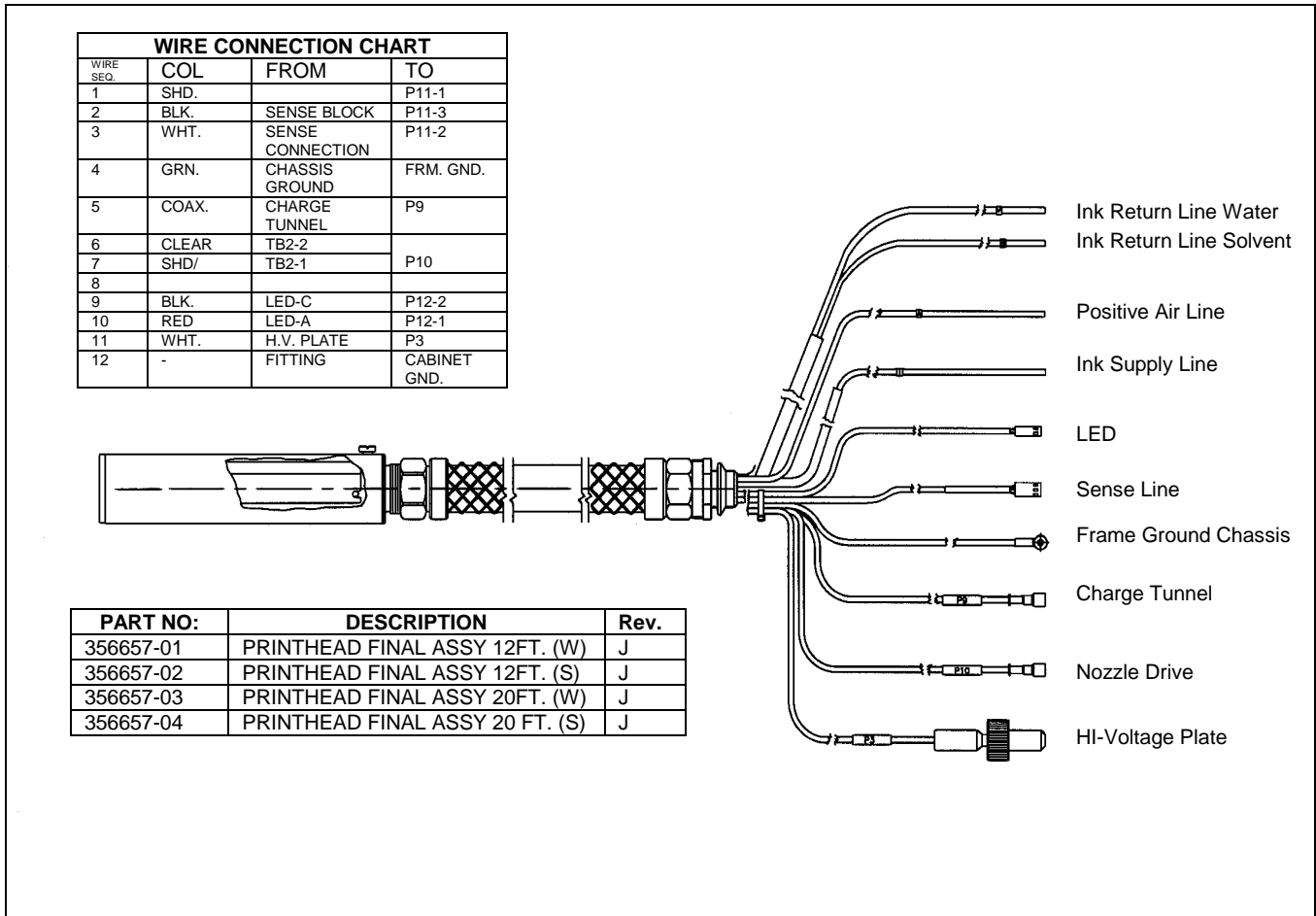


Figure 9-14. Printhead Assembly

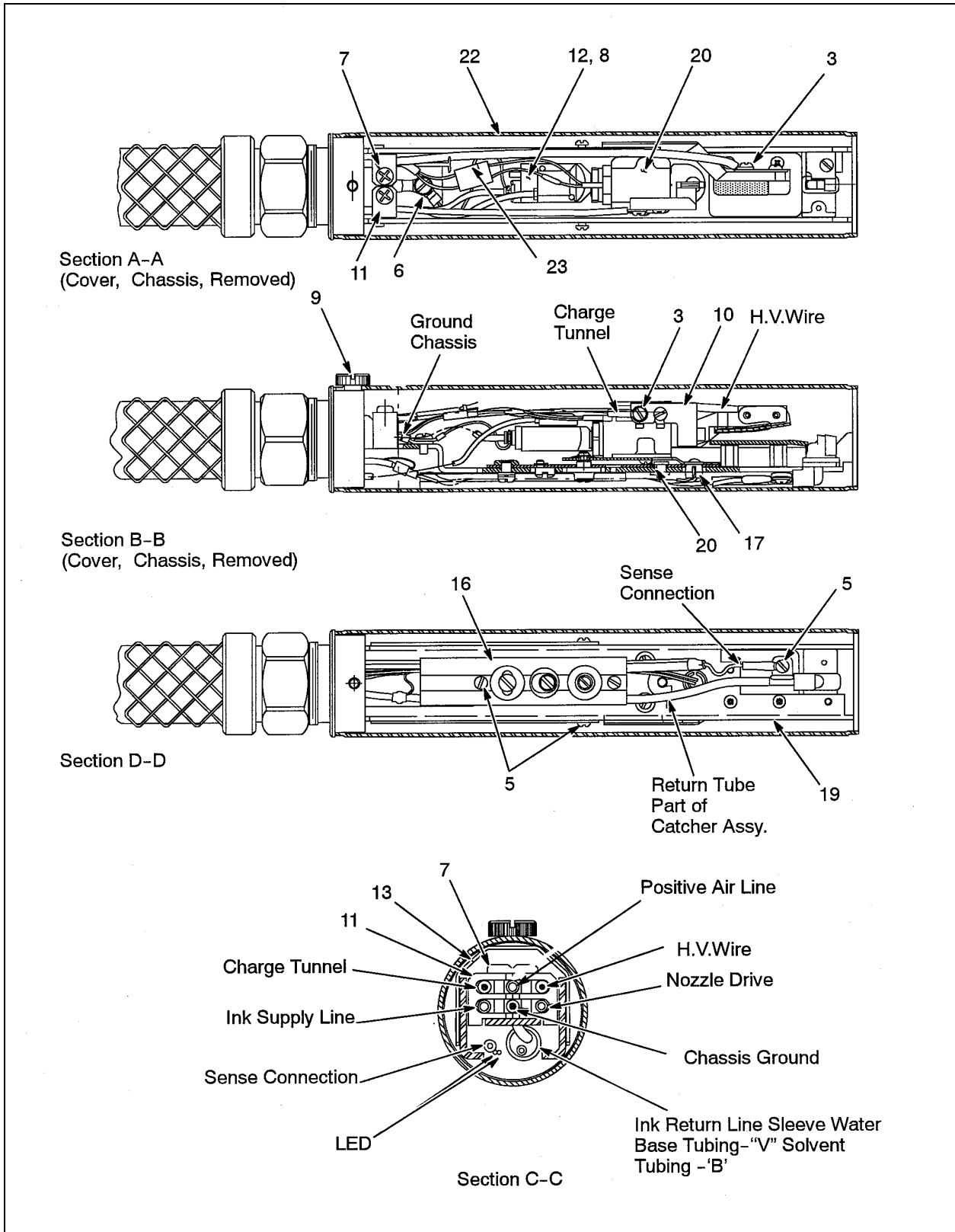


Figure 9-15. Printhead Assembly Detail

<b>Printhead Assembly (Refer to Figure 9-14.)</b>	
<b>Part Numbers</b>	<b>Description</b>
<b>SP356657-01</b>	PRINTHEAD, FINAL, 170I, LARGE RETURN LINE, 12' ASSEMBLE
<b>SP356657-02</b>	PRINTHEAD, FINAL, 170I, SMALL RETURN LINE, 12' ASSEMBLY
<b>SP356657-03</b>	PRINTHEAD, FINAL, 170I, LARGE RETURN LINE, 20' ASSEMBLY
<b>SP356657-04</b>	PRINTHEAD, FINAL, 170I, SMALL RETURN LINE, 20' ASSEMBLY

<b>Printhead Assembly Detail- Parts List (Refer to Figure 9-15.)</b>			
<b>Item</b>	<b>Part Number</b>	<b>Description</b>	<b>Quantity</b>
3	201397	SCREW, MACH, PNHD, SLTD, 2-56 3/16	2
4	201613	SCREW, MACH, PNHD, SLTD, 4-40 1/4 LG	2
5	202505	SCREW, MACH, PNHD, SLTD, 2-56 1/8 LG	4
6	202770	SCREW, MACH, PNHD, SLTD, 4-40 1/8 LG	1
7	205827	SCREW, MACH, PNHD, PHLP, 4-40 1/2 LG	2
8	206582	O RING, .042 ID	1
9	351158	SCREW, THUMB	1
10	355193	TUNNEL, CHARGE, SST	1
11	355195	CLAMP, UPPER	2
12	SP355198	VALVE, INK, ASSY	1
13	355201	COVER, CHASSIS	1
16	374519	RETAINER CLIP	1
17	355974	CLIP, LED	1
19	356665	PRINTHEAD DECK ASSEMBLY (Refer to Figure 9-18 on page 9-36.)	1
20	SP371675	NOZZLE, 66U, ASSY	1
21	203755	SCREW, MACH, RND HD, 2-56 3/16 L	4
22	357333	COVER, PRINTHEAD, SST	1
25	370099-01	LABEL, WARNING, FIRE HAZARD	1



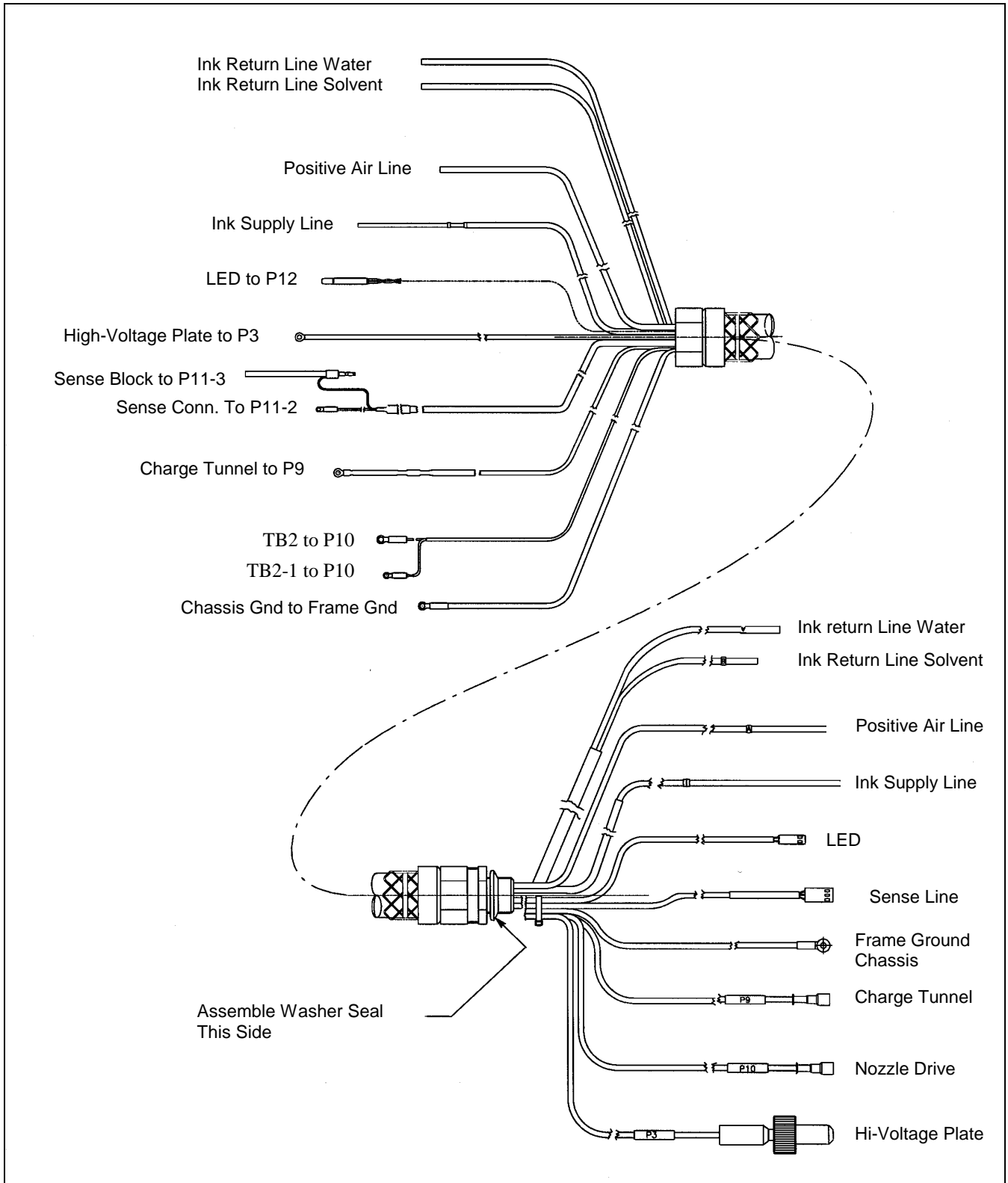


Figure 9-16. Cable and Duct Assembly

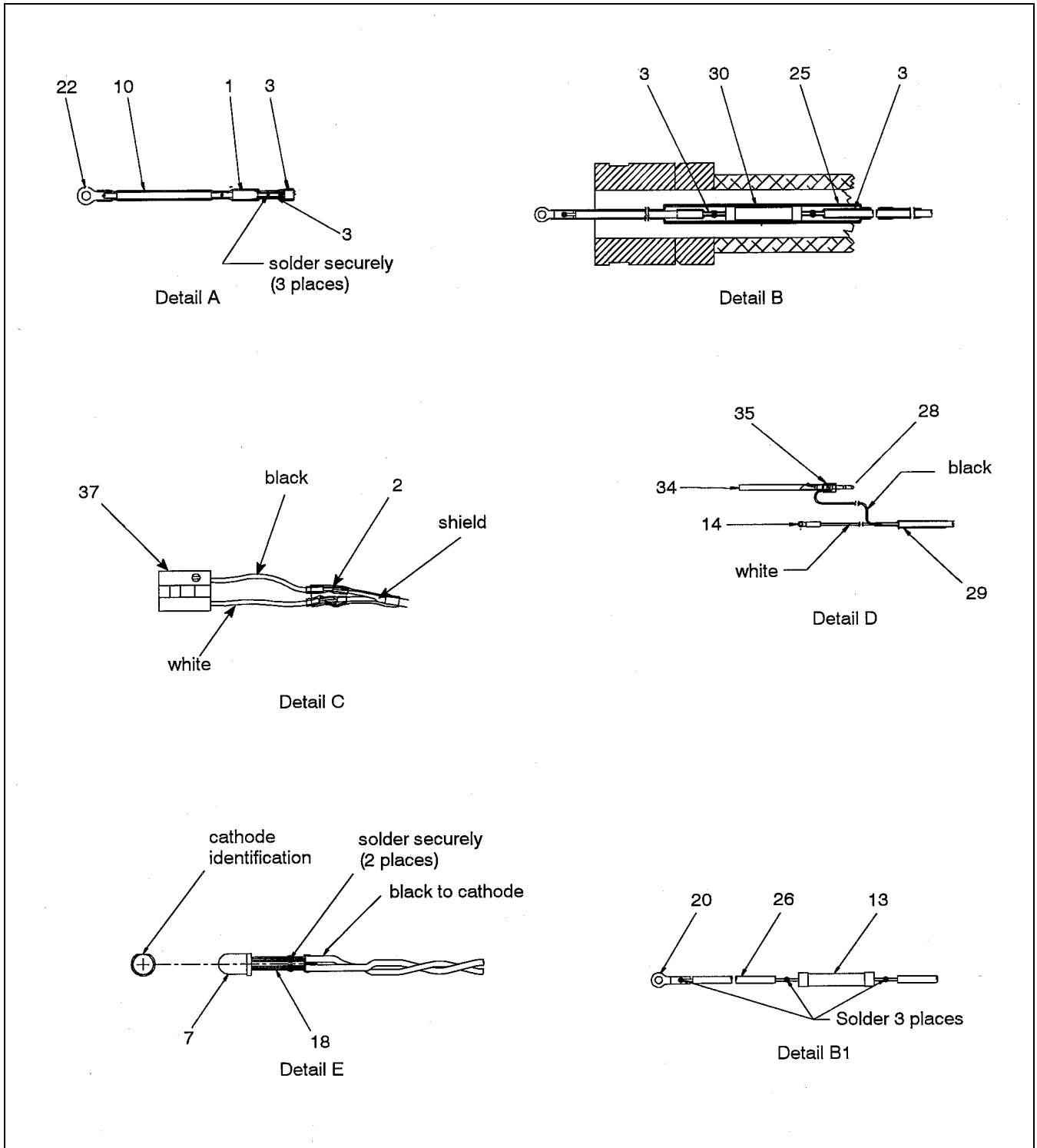


Figure 9-17. Cable and Duct Assembly Detail

<b>Cable and Duct Assembly Detail - Parts List (Refer to Figure 9-17)</b>			
<b>Item</b>	<b>Part Number</b>	<b>Description</b>	<b>Quantity</b>
1	200419	RESISTOR, FCF, 10K OHM 1/4W	1
2	200785	TUBING, SHRINK, .125 ID	1
3	206174	TUBING, SHRINK, .125 ID, BLACK	1
	202549	TUBING, TEFLON, 1/16 ID – INK SUPPLY LINE	23 FT.
	203339	TUBING, POLYALLOMER, 1/8 OD – POSITIVE AIR LINE	23 FT.
7	203592	L.E.D., RED, SOLID STATE, T1 PKG	1
	212367	MARKER, 'A'	1
	212364	MARKER, 'I'	1
10	204414	WIRE, INSULATED, 20 GA, WHITE	0
13	204864	RESISTOR, FMA, 10M OHM 1.5 W	1
14	206217	TERMINAL, RING, #2, 26-22 AWG	1
	207238	TUBING, NYLON, 1/4 ID – RETURN LINE SLEEVE	20.5 FT.
	204498	TUBING, POLYETHYLENE, 1/4 OD, BLACK – INK LINE SLEEVE	2.11 FT.
	212368	MARKER, 'V'	1
18	250522	TUBING, SHRINK, .093 ID	0
	206214	TUBING, TEFLON, .053 ID X .085 OD – INK RETURN LINE, SOLVENT	23
20	343242	LUG, TERMINAL	1
21	206220	TERMINAL, RING, #4, 26-22 AWG	1
22	343244	TERMINAL, LUG	1
23	343416	FITTING, LINE, INK	1
25	206173	TUBING, SHRINK, .187 ID, BLACK	1
26	206213	WIRE, HIGH VOLTAGE, 13 KVDC, 22 AWG	1
27	204803	TERMINAL, RING, #4, 22-16 AWG	1
28	356704	FITTING, BARB, RETURN LINE	1
29	201143	TUBING, SHRINK, .125 ID	1
30	205257	TUBING, TEFLON, .144 ID	.2 FT.
	212366	MARKER, 'B'	1
37	374532	CONNECTOR, 2-PIN MALE W/LATCH	1
34	251413	TUBING, PLASTIC, 1/8 OD – INK RETURN LINE, WATER	23
35	201027	TUBING, SHRINK, .187 ID	0

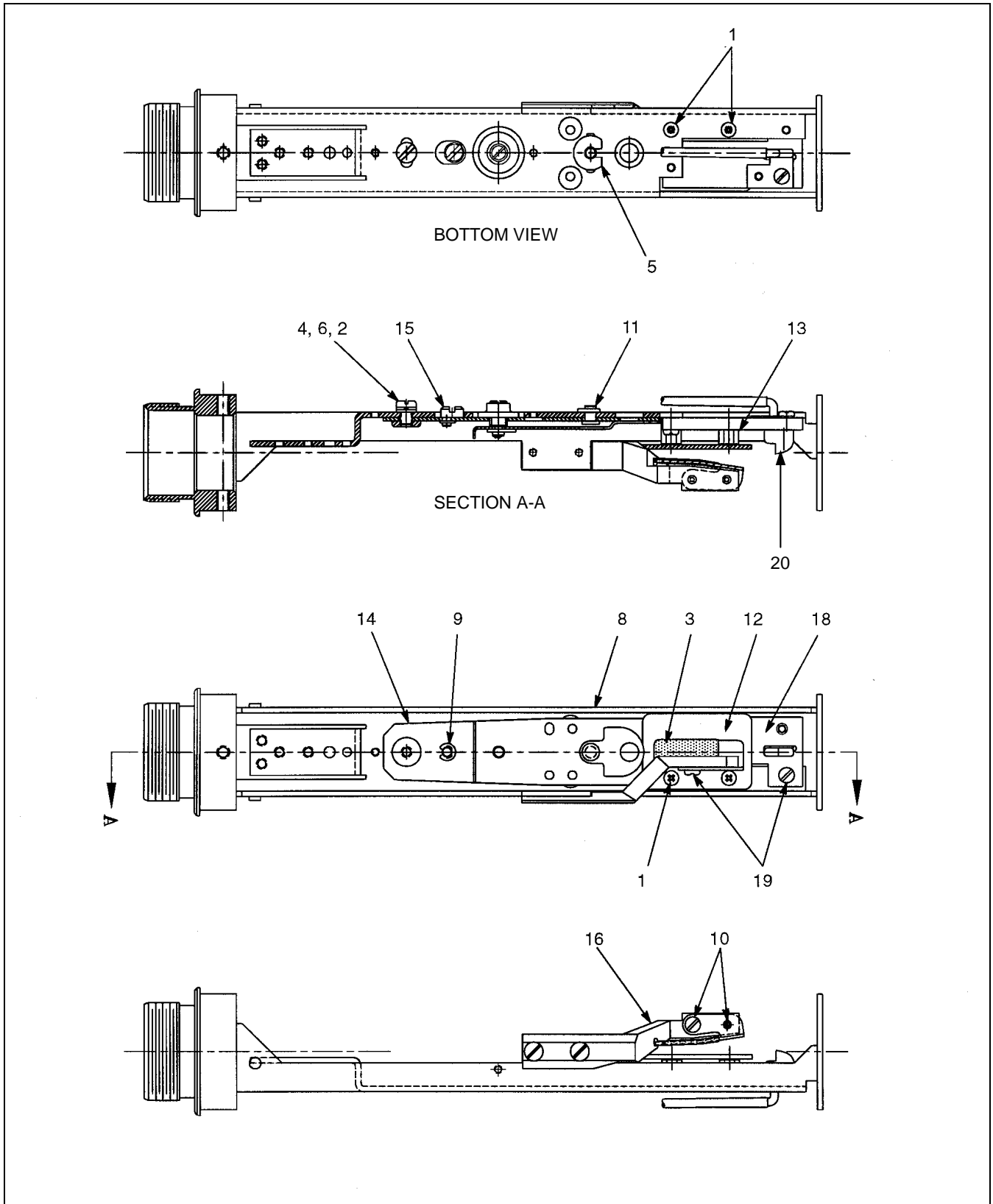


Figure 9-18. Printhead Deck Assembly Detail

<b>Printhead Deck Assembly (Refer to Figure 9-15.)</b>	
<b>Part Numbers</b>	<b>Description</b>
<b>356665</b>	DECK, PRINthead ASSEMBLY (Refer to Figure 9-15 on page 9-29 for location.)

<b>Printhead Deck Assembly - Parts List (Refer to Figure 9-18.)</b>			
<b>Item</b>	<b>Part Number</b>	<b>Description</b>	<b>Quantity</b>
1	112700	SCREW, MACH, FLT HD, POZ, 2-56 1/8 LG	4
2	193499	WASHER, FLAT, .025 X .125 ID	1
3	356725	PLATE, H.V., ASSY	1
4	201613	SCREW, MACH, PNHD, SLTD, 4-40 1/4 LG	1
5	206221	RING, RETAINING, PRONG LOCK, .125 ID	2
6	206313	WASHER, LOCK, SPLIT RING, #4, .115 ID	1
8	371648	DECK, WELDMENT	1
9	206139	RETAINER, RING-E, EXTRNL, .073 DIA	2
10	202505	SCREW, MACH, PNHD, SLTD, 2-56 1/8 LG	2
11	355220	PIVOT, PLATFORM	1
12	356267	PLATE, GROUND, SHORTENED	1
13	355182	STAND-OFF, GRD. PLATE	2
14	355186	NOZZLE, PLATFORM WELDMENT ADJ.	1
15	374530	ECCENTRIC, ADJUST, HORZ	1
16	355199	ARM, PLATE, H.V., 7 IN., ASSY	1
18	SP356858	CATCHER, GULLET, ASSY	1
19	201397	SCREW, MACH, PNHD, 2-56 3/16	3
20	356859	STRAP, GROUNDING, PRINthead CATCHER	1

Older Style EXCEL 170I Ink Module Assembly  
(refer to Page 9-3 for additional information).

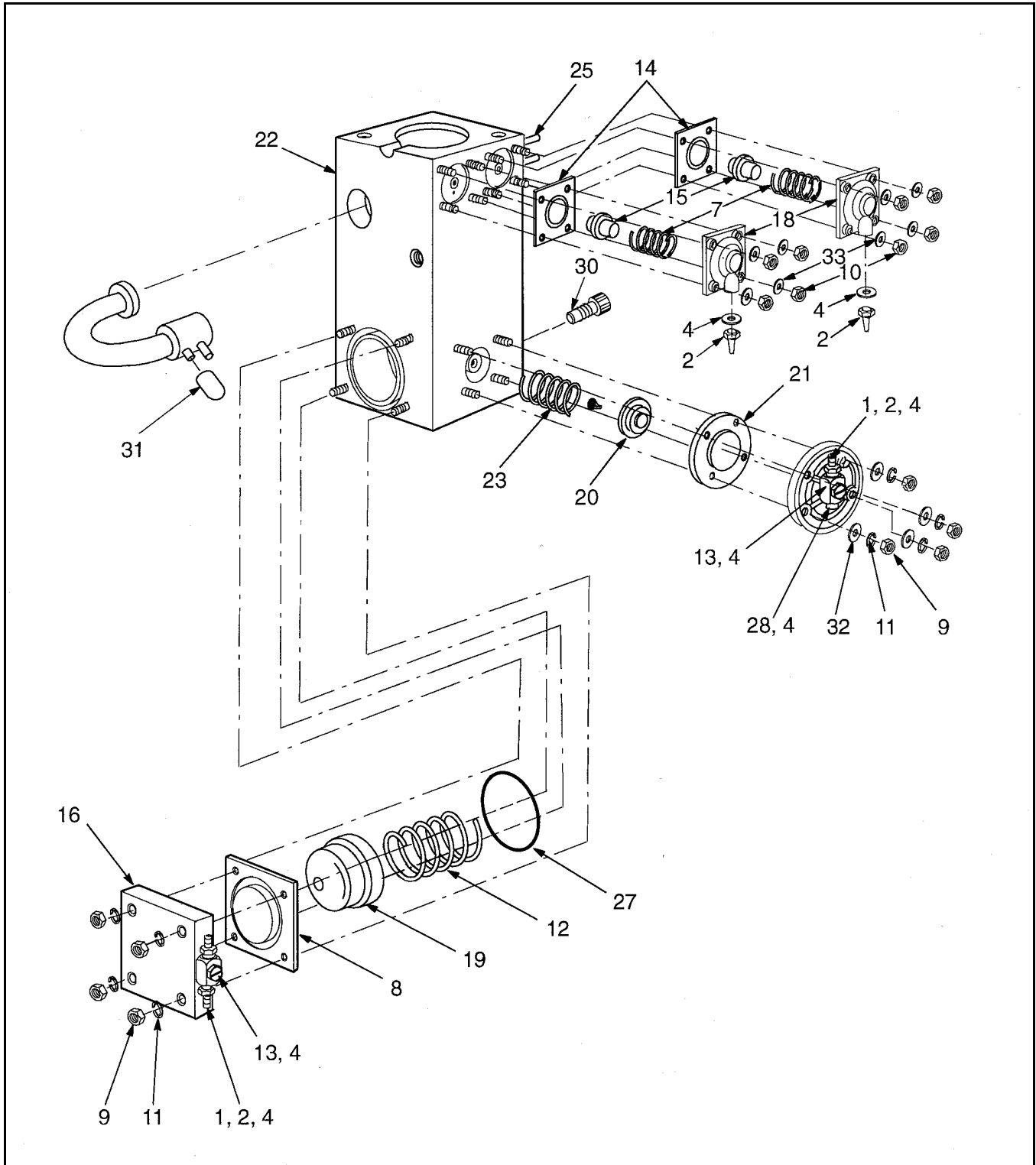


Figure 9-19. Ink Module Assembly

<b>Component Parts For Older Style Ink Module Assembly (refer to Figure 9-19)</b>			
<b>Item</b>	<b>Part Number</b>	<b>Description</b>	<b>Quantity</b>
2	201844	FITTING, TUBE, BARB, 1/16 X 10-32 M	5
3	206312	ADHESIVE, SEALANT, ANEROBC TRD, RED	A/R
4	212599	GASKET, 3/16 ID	8
5	207407	VALVE, COMBINATION, .470/.460 DIA	1
6	206875	FITTING, CONNECTOR, MALE, TUBE, 1/8 OD	1
7	SP355342	SPRING, COMPRESSION, .375 FREE LENGTH	2
8	SP207016	DIAPHRAGM, ROLLING, 2.00 IN. SQ.	1
9	208759	NUT, HEX, MACHINE SCREW, 8-32, WAXED	8
10	208760	NUT, HEX, MACHINE SCREW, 4-40, WAXED	8
11	206430	WASHER, LOCK, SPLIT RING, #8, .040 THK	8
12	205978	SPRING, COMPRESSION, 2-1/2 LG	1
13	205983	FITTING, TUBE, ADJ "T" ML/FML, 10-32	2
14	SP355611	DIAPHRAGM, VALVE, ADDER	2
15	355609	PUSHER, ADDER VALVE	2
16	355046	CAP, DOMED (1.25 DIA PUMP, ALUMINUM)	1
17	355605	CAP, SUCTION VALVE	1
18	355606	CAP, ADDER VALVE-MOLDED	2
19	375003	PISTON, LONG	1
20	355961	PISTON, SUCTION VALVE ASSEMBLY	1
21	SP355610	DIAPHRAGM, VALVE, SUCTION	1
22	355603	INSERT, INK MODULE-ASSY	1
23	SP355088	SPRING, COMPRESSION, .88 FREE LENGTH	1
25	206728	TUBING, EXTRUDED, .062 ID X .125 OD	A/R
26	203212	ADHESIVE, SEALANT, LOCTITE HYDRAULIC SEALANT	A/R
27	207015	O RING, 1.540 ID, EPDM	1
28	201868	FITTING, TUBE PLUG, 5/32	1
30	374563	PLUG, DRAIN	1
31	206840	CAP, NON-THREADED, 5/32 ID, EPDM	2
32	190341	WASHER, FLAT, .032 X .203 ID	4
33	193499	WASHER, FLAT, .025 X .125 ID	8
34	356867	HOUSING, VALVE	1
35	205782	O RING, .424 ID	1

**Note:** If you would like to purchase the entire ink module assembly, you should order the newer style ink module assembly. Refer to Page 9-18.

# 10

## Accessories and Spare Parts

---

In this chapter you will find:

- Accessories that are available for use with the EXCEL 170i printer.
- Items included in the EXCEL 170i Spare Parts Kit.
- Information on how to order accessories, parts and supplies.

Refer to page 10-2 for a chapter-level Table of Contents.



## Chapter 10 Contents

<b>Ordering Accessories, Parts And Supplies .....</b>	<b>10-3</b>
How to Order.....	10-3
For Technical Assistance.....	10-3
<b>Accessories .....</b>	<b>10-4</b>
Overview .....	10-4
Printhead Stands .....	10-4
Printer Stand and Accessories.....	10-4
Voltage Regulators and Conditioners .....	10-4
Product Detectors .....	10-5
Shaft Encoder (with Cable).....	10-5
Alert Light .....	10-5
Air Accessories.....	10-6
Programmable Counter .....	10-6
Manual Transport .....	10-6
External Five-gallon Make-up Fluid Supply.....	10-6
Remote Service Module .....	10-6
Serial Interface Kit.....	10-7
Additional Accessories .....	10-7
<b>Spare Parts and the Spare Parts Kits.....</b>	<b>10-8</b>
Spare Parts Kit for EXCEL 170i Printer .....	10-8
Spare Parts Kit for EXCEL 170i Printer With Autoflush.....	10-10
<b>Supplies .....</b>	<b>10-12</b>

## Ordering Accessories, Parts and Supplies

### How to Order

For your convenience, replacement parts, fluids, and accessories can be ordered from **Videojet Technologies Inc.** by telephone, by fax, or through our Internet ordering service. Please have the following information available to ensure quick, easy, and accurate service.

- Your customer number
- Your name and telephone number
- Your P.O. (Purchase Order) number
- Your preferred method of delivery
- The part number and quantity of all items required

#### To Order by Telephone 1-800-843-3610

Call **Videojet** at **1-800-843-3610** and speak to one of our Customer Service Representatives. Telephone hours are 7:00 a.m. to 7:00 p.m., Monday through Friday (Central Standard or Daylight Time). In emergencies, please contact our 24-hour Technical Assistance Department at the same telephone number.

#### To Order by Fax 1-800-582-1343 (USA) 630-616-3629 (Int'l)

Fax your order to **Videojet** at **1-800-582-1343**. Fax orders can be sent 24 hours a day, 7 days a week. Our international fax number is **630-616-3629**.

#### To Order over the Internet [www.videojet.com](http://www.videojet.com)

Contact **Videojet** at [www.videojet.com](http://www.videojet.com). Web orders can be placed 24 hours a day, 7 days a week. You can also view invoice status, and payment and sales order history on this site.

### For Technical Assistance

For technical assistance, contact **Videojet** at **1-800-843-3610** (for customers within the United States). Outside the U.S., contact your **Videojet** distributor or subsidiary for assistance. Technical assistance is available 24 hours a day, 7 days a week.

Videojet Technologies Inc.  
1500 Mittel Boulevard  
Wood Dale, IL 60191-1073, U.S.A.

## Accessories

### Overview

This section contains the part numbers of **VIDEOJET®** accessories.

### Printhead Stands

Description	Part Number
Printhead Stand, Adjustable Articulating Arm	800013
Printhead Stand Assembly, Adjustable	343840
Extra Arm Assembly (for P/N 343840)	343879

### Printer Stand and Accessories

Description	Part Number
Mobile Floor Stand, Painted	391301-01
Mobile Floor Stand, Stainless Steel	391301-02
Stationary Floor Stand, Painted	371155
Wall Mount Brackets, Painted	355452
1-1/2 inch Caster Kit (Wheel)s	371722 (Quantity 4)

### Voltage Regulators and Conditioners

Description	Part Number
Power Conditioner, 120 VAC/2 AMP Unit	356841-02

**Product Detectors**

<b>Description</b>	<b>Part Number</b>
Proximity	375085-01
Retro-reflective	375085-02
Fiber Optic, 0.125" (3.17 mm)	375085-03
Fiber Optic, 0.046" (1.17 mm)	375085-04
Fiber Optic, 0.125" (3.17 mm), through-beam	375085-05
Fiber Optic/Proximity, Registration Marks	375085-06
Retro-reflective Fiber Optic, Transparent Objects	375085-07
Metal	343885

**Shaft Encoder (with Cable)**

<b>Description</b>	<b>Part Number</b>
Environmental Sealed Encoder, 1800 ppr (3/8 Shaft)	375065-01
Encoder w/ Marker Pulse, 1800 ppr (1/2 Shaft)	375065-02

**Alert Light**

<b>Description</b>	<b>Part Number</b>
Alert Light	360900-01

## Air Accessories

Description	Part Number
Compressed Air Filtration System	370930
Air Filter Replacement	212785 (see Note below)
Air Pressure Booster	356805
Maintenance Kit for Air Booster	356830
Air Gun Kit	370177
Air Drier & Bracket Kit	374751

**Note:** If Air Filter Kit (P/N 370671) was purchased before 10/99, order filter element replacement kit P/N 370672.

## Programmable Counter

Description	Part Number
Programmable Counter	356844
Enclosure for Counter	207539

## Manual Transport

Description	Part Number
Manual Transport	368090

## External Five-gallon Make-up Fluid Supply

Description	Part Number
External Five-gallon Make-up Fluid Supply	353975-02

## Remote Service Module

Description	Part Number
Remote Nozzle Drive Adjustment Module	355484

**Serial Interface Kit**

Description	Part Number
Serial Interface Kit (Cable)	375066

**SureShot Accessory Kit**

Description	Part Number
SureShot Accessory Kit	374945

**Additional Accessories**

Description	Part Number
Wire Marking Fixture	AP100021
Washdown Printhead Cover	375094
RAM Battery Back-up for V6 Printer Control PCB	375097
Wash Bottle	202047
Service Tray*	355495
Printhead Bracket, for Service Tray*	355497

\*For a complete service tray assembly, you must order P/N 355497 and P/N 355595 together.

## Spare Parts and the Spare Parts Kits

### Spare Parts Kit (P/N 356740)

A Spare Parts Kit consisting of normal maintenance items for the EXCEL 170i Series Printers is available through **Videojet Technologies**. Each item included in the Spare Parts Kit is also available separately. Individual items can be ordered by referring to the corresponding part number shown below.

There are different spare parts kits depending on your model of EXCEL 170i Printers.

- For the EXCEL 170i printer, please refer to the list below.
- For the EXCEL 170i printer with Autoflush, please refer to the list beginning on page 10-10.

### Contents of Spare Parts Kit for EXCEL 170i Printer without Auto Flush (356740)

The EXCEL 170i printer without Autoflush Spare Parts Kit consists of the following items:

Description	Part Number	Qty.
Key, Hex	186514	1
Filter, Disposable	204667	1
Switch, Pressure	SP204446	1
Relay, Solid State	205295	1
Lamp, Incandescent	205604	2
Tool, Bottle	202047	1
Solenoid, Packaged	SP206429	1
Regulator, Pressure	SP370682	1
Pan, Wash, Assembly	355267	1
O Ring, .042 ID	SP206582	1
Holder, Magnifier	355257	1
Filter, Ink, 20U	SP371130-01	1
Diaphragm, Rolling	SP207016	1
Pump, Spring	SP205978	1

<b>Description</b>	<b>Part Number</b>	<b>Qty.</b>
Tubes, Bleed	356539	1
Diaphragm, Adder	SP355611	1
Tube, XFR, Ink	390592	1
Tube XFR, Ink	390593	1
Tube, Tank, Pressure	356093	1
Label, Kit, Part	356741	1
Bracket, Holder	355262	1
Screw, Thumb, Assembly	355258	1
H.V. Gauge -170i	186976	1
Spring, Adder	SP355342	1
Fitting, Tube	203473	2
Nozzle, 66U, PKG	SP371675	1
Barb Fitting	374637	1
Wire, Gnd, Clean	370092	1
Filter, Bottle	SP370551	2
Valve, Combination	207407	2

\*For complete service tray assembly, you must order P/N 355495 and P/N 355497



## Contents of Spare Parts Kit for EXCEL 170i Printer with Autoflush (P/N 371785)

The EXCEL 170i printer with Autoflush Spare Parts Kit consists of the following items:

Description	Part Number	Qty.
Key, Hex	186514	1
Wire, Gnd, Clean	370092	1
Filter, Disposable	204667	1
Switch, Pressure	SP204446	1
Relay, Solid State	205295	1
Lamp, Incandescent	205604	2
Tool, Bottle	202047	1
Solenoid, Packaged	SP206429	1
Regulator, Pressure	SP370682	1
Pan, Wash, Assembly	355267	1
O Ring, .042 ID	SP206582	1
Holder, Magnifier	355257	1
Filter, Ink, 20U	SP371130-01	1
Diaphragm, Rolling	SP207016	1
Pump, Spring	SP205978	1
Tubes, Bleed	356539	1
Diaphragm, Adder	SP355611	1
Tube, XFR, Ink	390592	1
Tube XFR, Ink	390593	1
Tube, Tank, Pressure	356093	1
Bracket, Holder	355262	1
Screw, Thumb, Assembly	355258	1
H.V. Gauge -170i	186976	1
Spring, Adder	SP355342	1
Fitting, Tube	203473	2

Description	Part Number	Qty.
Nozzle, 66U, PKG	SP371675	1
Barb Fitting	374637	1
Ink Valve Assembly	SP371019	1
Filter, Bottle	SP370551	2
Valve, Combination	207407	2

\*For complete service tray assembly, you must order P/N 355495 and P/N 355497

## **Supplies**

A variety of **VIDEOJET**<sup>®</sup> inks, make-up fluids and cleaning solutions suitable for your particular application are available through **Videojet Technologies**.

Refer to *Ordering Accessories, Parts and Supplies* on page 10-3 for information on obtaining **VIDEOJET**<sup>®</sup> supplies from **Videojet Technologies**.