

# **Linx**

# **Continuous Ink Jet Printers**

# **Parts List**

# Linx Continuous Ink Jet Printers Parts List



## Using This Parts and Prices List

The information in this Parts List is to provide a distributor of Linx products with sufficient information to identify and order spare parts for the Linx range of Continuous Ink Jet Printers. Products and component parts described in this document are subject to continuous development, and reviews will be made periodically in further issues and amendments.

To assist in identifying the relevant part number, numbered illustrations are provided where possible.

## Disclaimer and Copyright

Information of a technical nature and particulars of the spare parts and their use are given by Linx in good faith.

At all times, Linx Continuous Ink Jet Printers must be operated with Linx-approved spares. Linx cannot accept liability for any loss or damage caused by the fitting or use of unauthorized spare parts.

The Parts List is intended to assist the distributor to maintain Linx products, and every care has been taken to be precise and accurate. However, Linx shall not be liable for any loss or damage arising from the use of any information herein, errors or omissions, or any incorrect use of the spare parts and products whatsoever.

Neither whole nor part of the information contained in this manual, nor the products described, may be adapted or reproduced in any material form without prior written consent of Linx Printing Technologies Ltd.

This Edition published 11 June 2013  
© 2013 Linx Printing Technologies Ltd

LINX is a registered trademark of Linx Printing Technologies Ltd.  
Unauthorized use of the LINX trademark is strictly forbidden.

In addition to our standard terms and conditions, you should note the following:

1.

2.

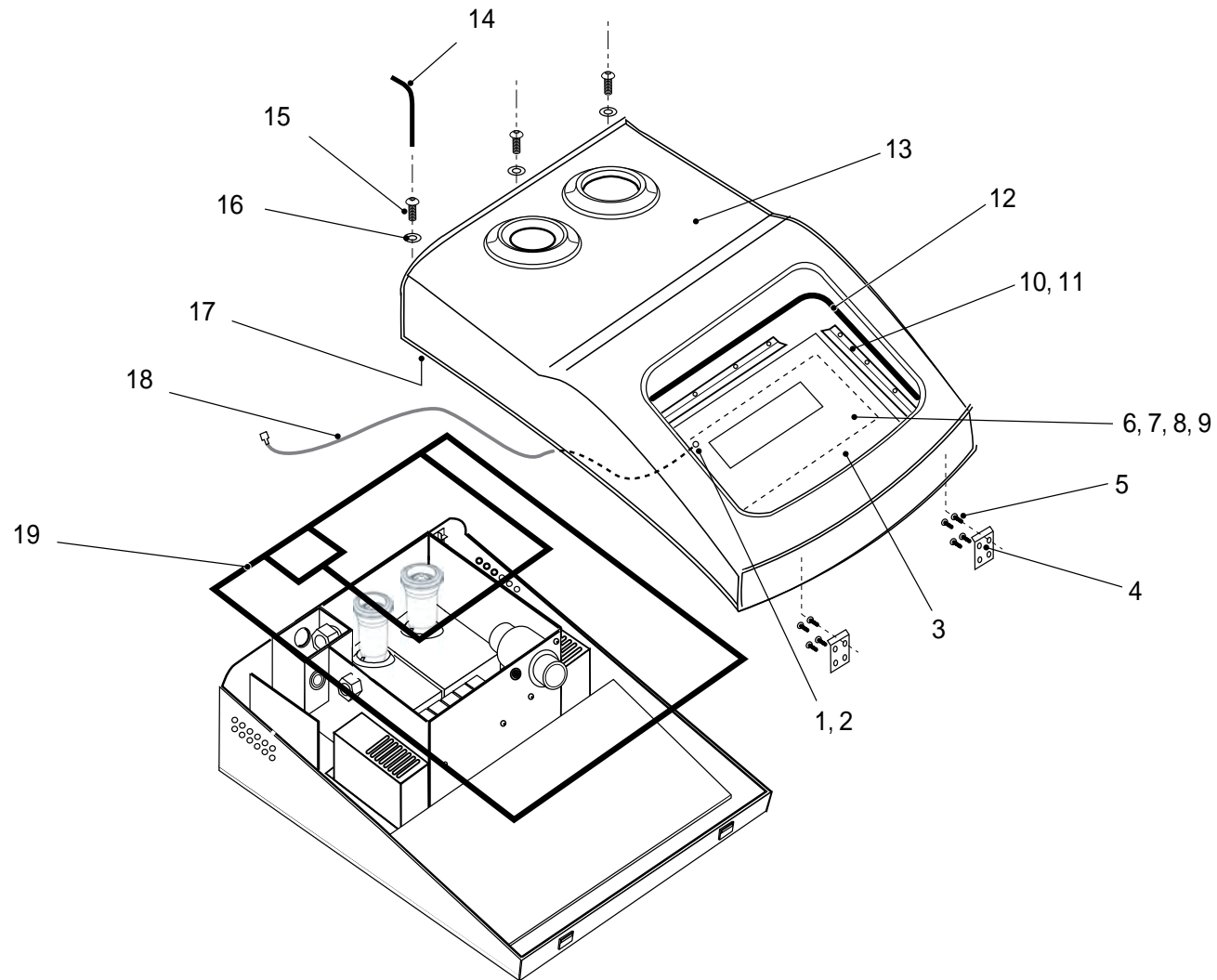
3.

- |             |                                                                                 |
|-------------|---------------------------------------------------------------------------------|
| Ex-stock:   | Items will be available for despatch within 3 working days of receipt of order. |
| X Weeks:    | Items will be available for despatch within X weeks of receipt of order.        |
| Enquire:    | Please contact Linx Sales office for advice on availability terms.              |
| Last Stock: | Stocks of these spare parts are limited; supply is subject to availability.     |

Orders for large quantities of single items may be subject to scheduled deliveries. If this happens, the first part delivery of any order will be despatched according to the terms defined above.

# Linx Continuous Ink Jet Printers

## Section 3 - 4800 Printers - Top Cover Assembly



Item	Part Num	Description	Qty	Availability	Comments
1	FA74097	NUT FULL HEX M3 SS - PACK	50	EX-STOCK	
2	FA74093	WSH SPRF INT M3 SS - PACK	50	EX-STOCK	
3	FA72121	4800 KEYPAD ASSEMBLY (EURO)	1	EX-STOCK	Includes keypad assembly, keypad clamps & screws.
3	FA72122	4800 KEYPAD ASSEMBLY (JAP)	1	EX-STOCK	Includes keypad assembly, keypad clamps & screws.

# Linx Continuous Ink Jet Printers

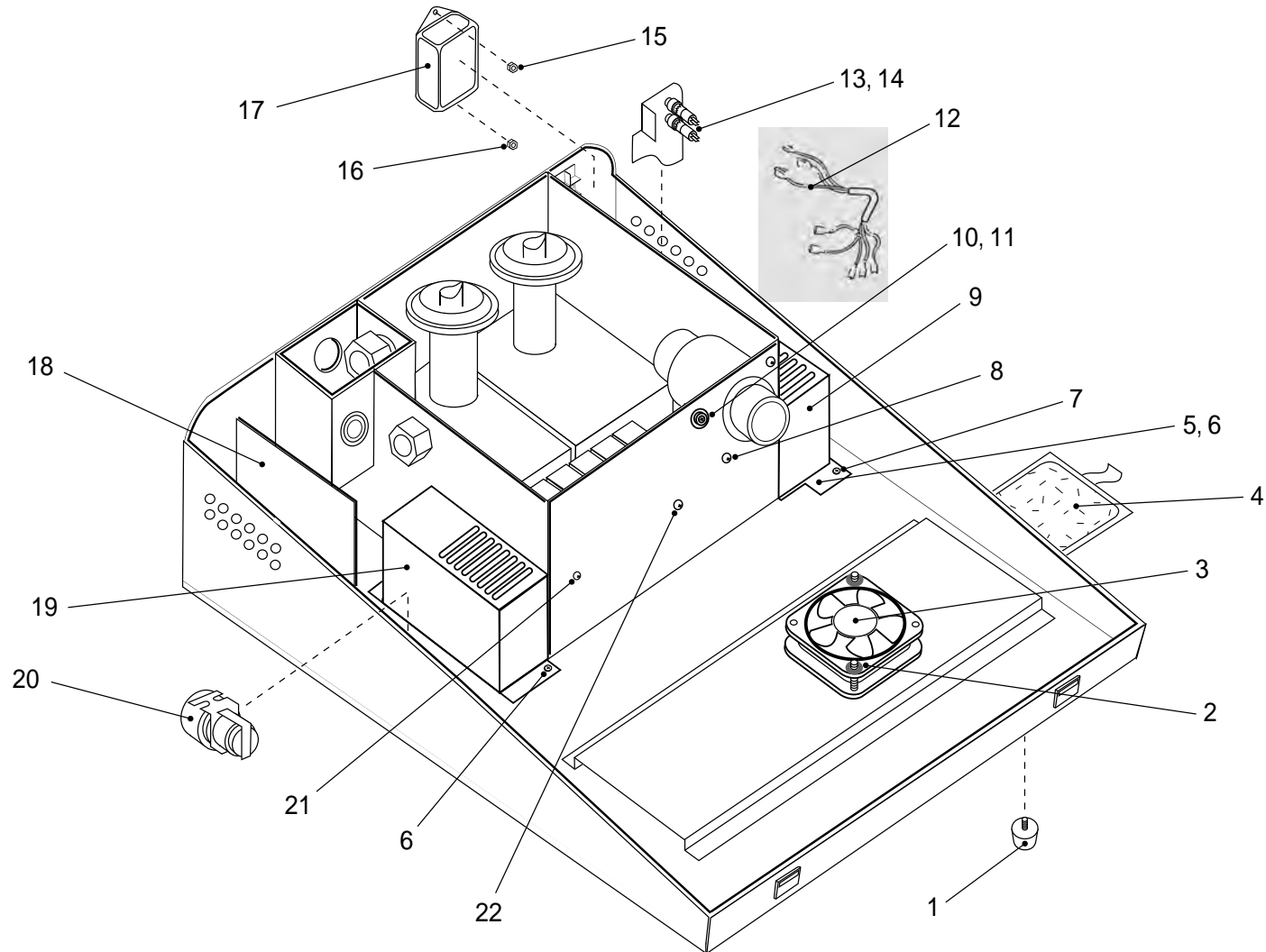
## Section 3 - 4800 Printers - Top Cover Assembly



Item	Part Num	Description	Qty	Availability	Comments
3	FA72123	4800 KEYPAD ASSEMBLY (GREEK)	1	EX-STOCK	
4	FA13087	4800 COVER HINGE	1	EX-STOCK	
5	FA77068	SCR M3X5 LG PAN HD POZ SS - PACK	10	EX-STOCK	
6	FA70074	4800 DISPLAY PCB ASSY	1	EX-STOCK	Includes LCD.
7	FA74084	PILLAR 6 OD X 18 X M3 NYLON - PACK	10	EX-STOCK	Display PCB spacers.
8	FA73037	NUT M3 NYLOC - PACK	20	EX-STOCK	
9	FA74098	LABEL EARTH WARNING - PACK	10	EX-STOCK	
10	FA13086	4800 KEYPAD CLAMP	1	EX-STOCK	
11	FA74099	SCR 4G X 5/16 POZ PAN HD PLASTITE ZINC PLT - PACK	20	EX-STOCK	
12	FA74113	4800 KEYPAD SEAL	1.2	EX-STOCK	
13	FA72139	4800 TOP COVER ASSY -MK2 FILLER TUBE		Obsolete	
13	FA67051	4800 COVER UPGRADE - MK2 FILLER TUBES		Obsolete	
14	FA940060	WRENCH TO SUIT PIN HEX M3 (ANTI-TAMPER)	1	EX-STOCK	
15	FA74090	SCR M5X20 SKT SEC PIN HEX BTN HD - PACK	20	EX-STOCK	
16	FA74091	WSH PLASTIC RETAINING M5 - PACK	50	EX-STOCK	
17	FA74082	4800 EMC LID SEAL	1	EX-STOCK	Top cover EMC seal comprising silicone tubing with neoprene cord insert.
18	FA13408	EARTH STRAP CABLE FORM	1	EX-STOCK	Display PCB to chassis cableform.
19	FA399033	4800 INK SYSTEM/COVER SEAL 6X4MM S/A EPDM	1	EX-STOCK	Fitted to top cover to seal the ink system when the cover is fitted.

# Linx Continuous Ink Jet Printers

## Section 3 - 4800 Printers - Cabinet Assembly



Item	Part Num	Description	Qty	Availability	Comments
1	FA74115	RUBBER FOOT - PACK	4	EX-STOCK	Foot contains threaded insert for easy fitting.
2	FA72076	3MM STARLOCK FASTENER - PACK	10	EX-STOCK	
3	FA13358	FAN ASSY SINTEC SLEEVE BEARINGS		Obsolete	Obsolete. Use FA13356.
3	FA13356	IP55 FAN ASSY	1	EX-STOCK	Used in 4800,4900,5900,6800,6900,7300 & 7900 printers.

# Linx Continuous Ink Jet Printers

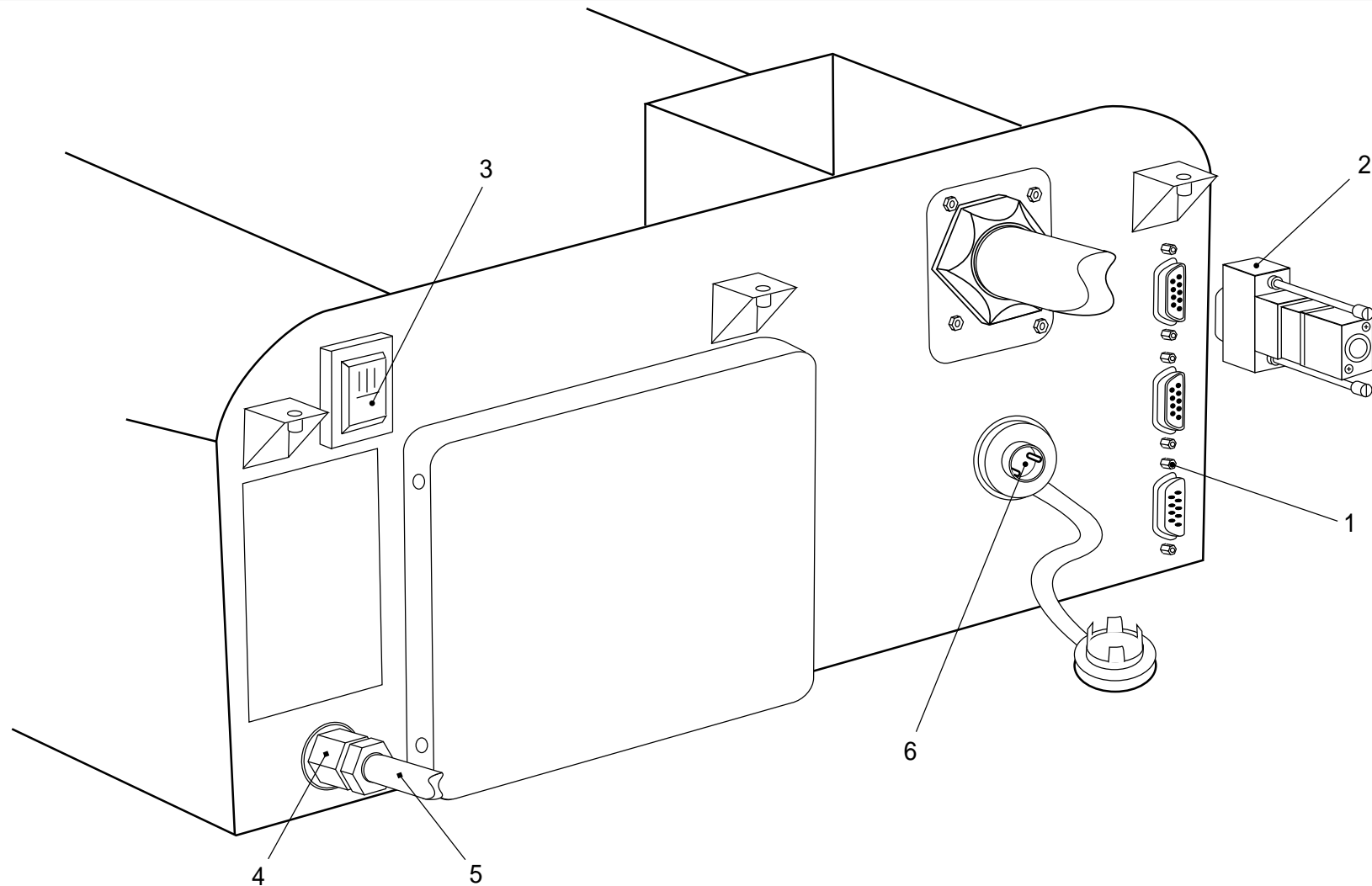
## Section 3 - 4800 Printers - Cabinet Assembly



Item	Part Num	Description	Qty	Availability	Comments
4	FA10319	DUST FILTER	1	EX-STOCK	4200,4800,6000R,6200R & 6200S. Rectangular pull-out filter.
5	FA16009	PSU BRACKET - SNAP-IN FUSE HOLDER	1	EX-STOCK	For use with FA74138 Fuse Holder.
6	FA74100	SCR M3X6 LG CSK HD POZ SS - PACK	50	EX-STOCK	
7	FA74086	SCREW M4X6 LG PAN HD POZ SS - PACK	50	EX-STOCK	
8	FA74023	PUMP SCR M5X50 PAN POZ SS - PACK	20	EX-STOCK	
9	FA73060	4800 LOW VOLTAGE PSU ASSY	1	EX-STOCK	Includes bracket,cableform,fuses,fuse holders & carriers.
9	FA10674	LOW VOLTAGE PSU	1	EX-STOCK	Used in 4800,4900,5900,6800,6900,7300 & 7900 printers.
10	FA77042	SCR M3X6 LG PAN HD POZ SS - PACK	20	EX-STOCK	
11	FA74093	WSH SPRF INT M3 SS - PACK	50	EX-STOCK	
12	FA13352	4800 MAINS CABLEFORM INTERNAL	1	EX-STOCK	Internal cableform interconnecting fuses & mains filter.
13	FA74138	SNAP-IN FUSE HOLDER - PACK	10	EX-STOCK	For use with MP16009 PSU Bracket.
14	FA71043	FUSE 4A 250 V ANTI-SURGE CERAMIC - PACK	10	EX-STOCK	
15	FA74111	NUT FULL HEX M4 SS - PACK	50	EX-STOCK	
16	FA74112	M4 NYLOC NUT - PACK	50	EX-STOCK	
17	FA461006	ELECTRICAL SUPPLY FILTER 3A	1	EX-STOCK	4800,5000 Mk2,6000 & 6200.
18	FA70075	4800 PHOTOCELL PCB	1	EX-STOCK	
18	FA71056	4800 PHOTOCELL PCB - 24 V ALARM	1	EX-STOCK	Used when Linx alarm beacon fitted.
19	FA13060	EHT PSU 3000	1	EX-STOCK	EHT PSU only.
20	FA67047	4800 INTERNAL POSITIVE AIR UPGRADE	1	EX-STOCK	For Mk5 Midi or Mk3B Micro printhead. Not suitable for use with Mk3B Macro printheads.
21	FA74109	SCR M4X12 LG PAN HD POZ SS - PACK	50	EX-STOCK	
22	FA74110	SCR M5X16 LG PAN HD POZ SS - PACK	50	EX-STOCK	

# Linx Continuous Ink Jet Printers

## Section 3 - 4800 Printers - Rear Cabinet Assembly



Item	Part Num	Description	Qty	Availability	Comments
1	FA74101	SCREWLOCK 4.7 - PACK	20	EX-STOCK	Screw thread sealant.
2	FA549130	9 WAY D-TYPE PLUG IP67	1	EX-STOCK	Plug to connect to shaft encoder or photocell.
2	FA599058	CONN D SHELL 9 WAY SHIELDED		Obsolete	
3	FA470024	MAINS ROCKER SWITCH	1	EX-STOCK	Used in 4800,4900,5900,6800(SP)from S/N ED322,6900/7300/7900 printers.

# Linx Continuous Ink Jet Printers

## Section 3 - 4800 Printers - Rear Cabinet Assembly

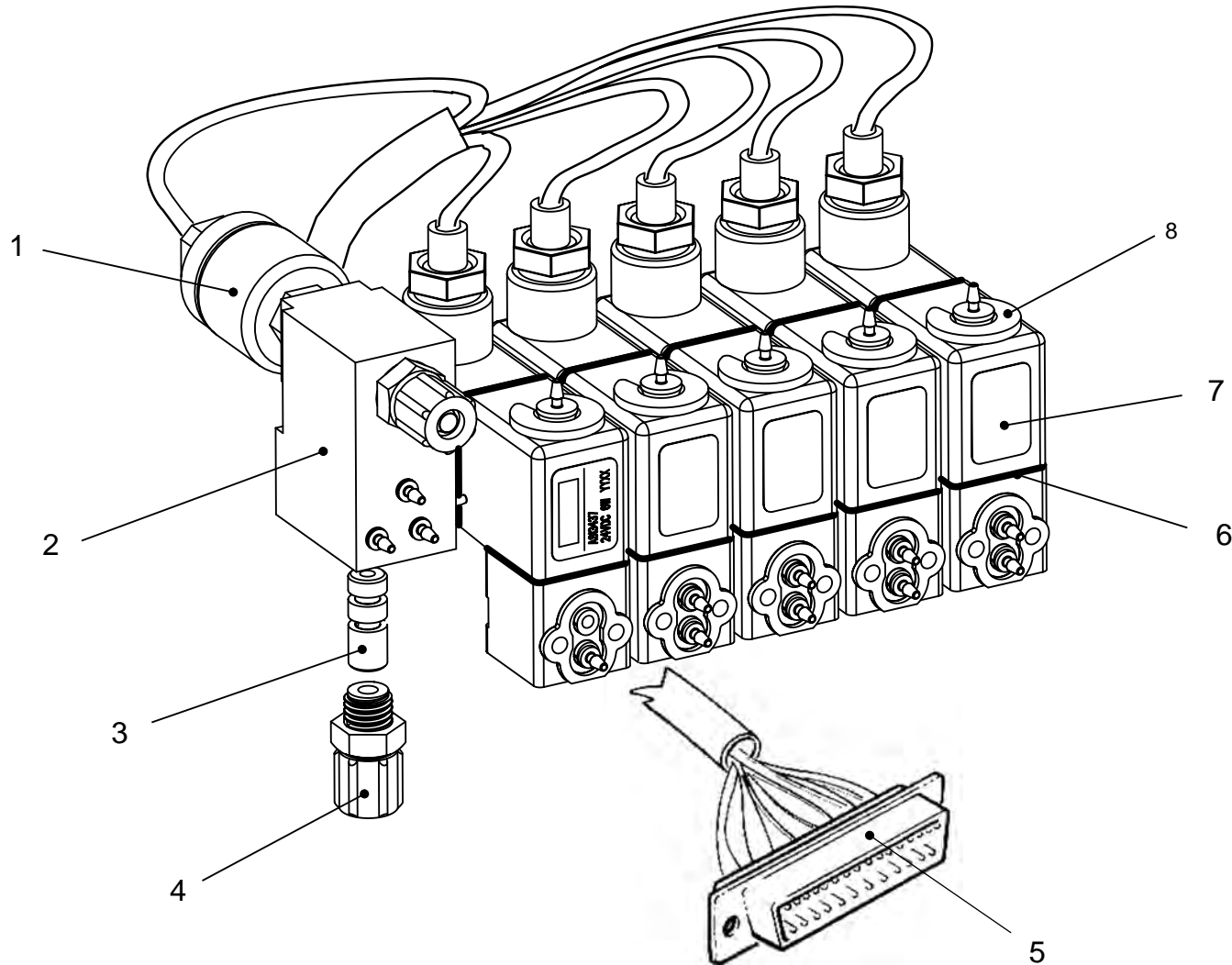


Item	Part Num	Description	Qty	Availability	Comments
4	FA71032	CABLE GLAND ASSY M20	1	EX-STOCK	
5	FA71039	4800/6000 MAINS POWER CABLE 220 V	1	4 WEEKS	
5	FA71040	4800/6000 MAINS POWER CABLE 110 V	1	4 WEEKS	
6	FA13357	4800 ALARM CABLEFORM	1	EX-STOCK	Internal cableform.
6	FA69007	2-WAY ALARM CONN IP67 (TUV)	1	EX-STOCK	2-pin plug to connect to external alarm device.



# Linx Continuous Ink Jet Printers

## Section 3 - 4800 Printers - Ink System Assy New Manifold



Item	Part Num	Description	Qty	Availability	Comments
1	FA200005	PRESSURE TRANSDUCER	1	EX-STOCK	
1	FA74140	PRESSURE TRANSDUCER BOOT - PACK	20	EX-STOCK	Used in 4800,4900,5900,6000,6200,6800,6900,7300 & 7900 printers.
2	FA16071	VENTURI O-RING MANIFOLD ASSEMBLY	1	EX-STOCK	Complete with venturi,Pressure Transducer,Connector & barbs.
2	FA16072	MINI O-RING MANIFOLD SUB-ASSEMBLY	1	EX-STOCK	Manifold block with barbs.

# Linx Continuous Ink Jet Printers

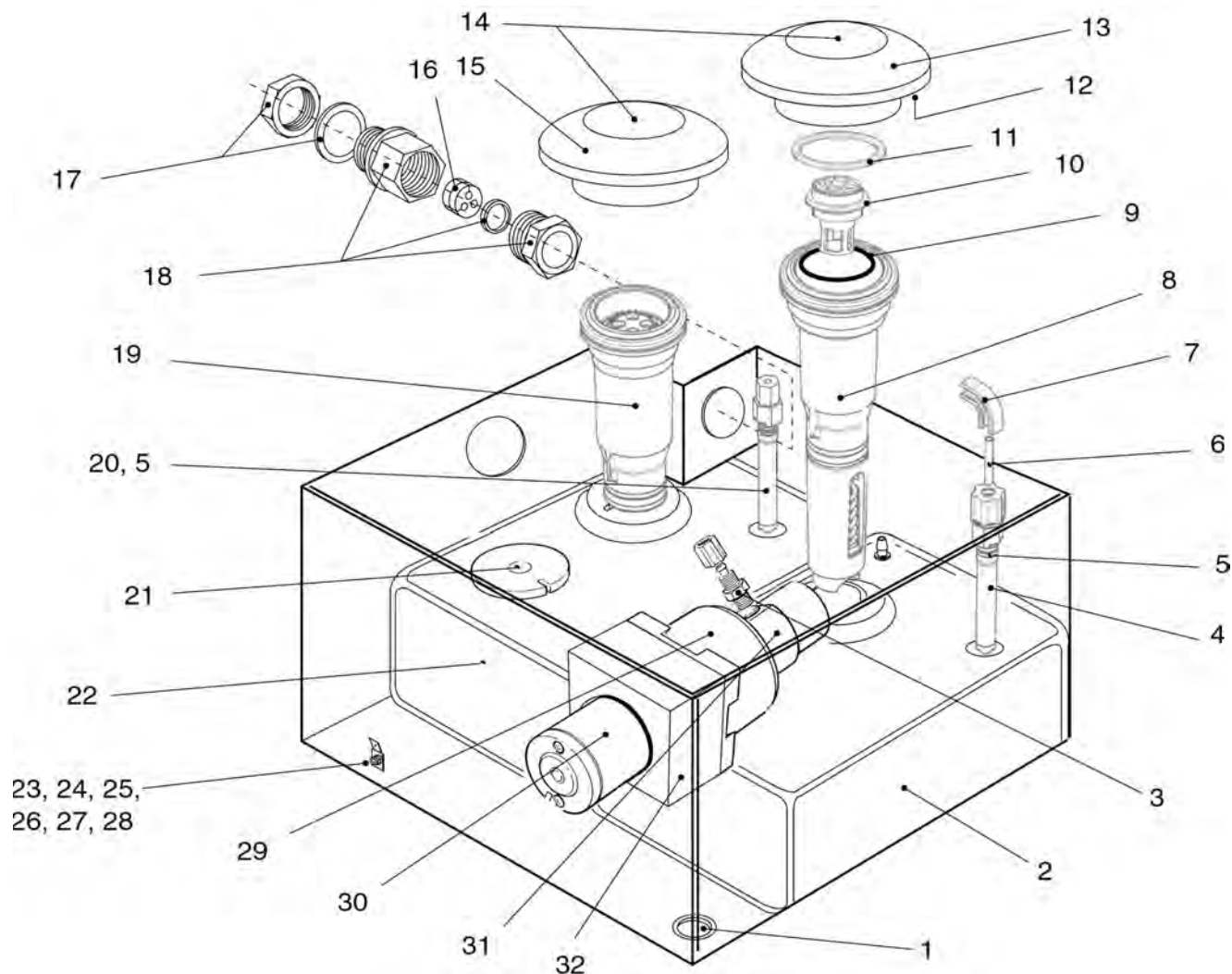
## Section 3 - 4800 Printers - Ink System Assy New Manifold



Item	Part Num	Description	Qty	Availability	Comments
	FA74141	O-RING 9.25 X 1.78 CSD - PACK	10	EX-STOCK	
	FA16310	MK2 VENTURI ASSEMBLY	1	EX-STOCK	
3	FA16310	MK2 VENTURI ASSEMBLY	1	EX-STOCK	
	FA16310	MK2 VENTURI ASSEMBLY	1	EX-STOCK	
3	FA73055	VENTURI STAINLESS STEEL	1	EX-STOCK	For use with a Macro printhead in applications requiring increased gutter suction.
3	FA77120	O - RING PACK	10	EX-STOCK	Used in Mk7 printhead filter assembly with Stainless Steel venturi.
4	FA73003	CONN STRT 1/8 BSP SELF SEAL - PACK	10	EX-STOCK	
	FA16071	VENTURI O-RING MANIFOLD ASSEMBLY	1	EX-STOCK	Complete with venturi,Pressure Transducer,Connector & barbs.
	FA200002	PRESSURE TRANSDUCER (HIRSCHMANN CONN)	1	EX-STOCK	4000,4200,4800,5000 Mk2,6000.
5	FA16073	4800 O-RING INK SYSTEM CABLEFORM	1	EX-STOCK	
6	FA74120	VALVE GASKET PACK - PLASTIC BASE	20	EX-STOCK	For use with plastic base valves.
7	FA74125	SIDE-PORTED VALVE ASSEMBLY	1	EX-STOCK	Valve fitted with two barbs.
7	FA74139	4800/6800 VALVE BOOT - PACK	20	EX-STOCK	
8	FA74121	VALVE C-CLIP PACK - PLASTIC BASE	20	EX-STOCK	For use with plastic base valves.
	FA74119	SCR M3 X 25 CSK POZ (PLASTIC BASE) PK	20	EX-STOCK	For use with plastic base valves.

# Linx Continuous Ink Jet Printers

## Section 3 - 4800 Printers - Ink System Assy New Filler Tubes



Item	Part Num	Description	Qty	Availability	Comments
1	FA73182	I/S DRAIN PLUG M12 - PACK	10	EX-STOCK	Ink tray drain plug.
2	FA72156	INK TANK	1	EX-STOCK	Rotationally moulded tank with push-fit barbs.
3	FA73003	CONN STRT 1/8 BSP SELF SEAL - PACK	10	EX-STOCK	
4	FA13004	INK DIP TUBE ASSEMBLY	1	EX-STOCK	Consumable. See CIJ Scheduled Maintainace document for change frequency.

# Linx Continuous Ink Jet Printers

## Section 3 - 4800 Printers - Ink System Assy New Filler Tubes



Item	Part Num	Description	Qty	Availability	Comments
5	FA73014	O - RING 7.66 X 1.78 EPDM - PACK	10	EX-STOCK	
6	FA73011	FILTER TUBE INSERT SS - PACK	10	EX-STOCK	
7	FA73012	TUBE SUPPORT ELBOW 6MM - PACK	10	EX-STOCK	
8	FA72131	MK2 INK FILLER TUBE ASSY	1	EX-STOCK	For use with new cover assemblies.
9	FA73200	O - RING INK FILLER TUBE	1	EX-STOCK	Replaces FA365002.
9	FA365002	O-RING FILL TUBE BS223 FEP/SIL CORE		Obsolete	Replaced by FA73200 in the 4800,4900 & 6800 printers.
10	FA74149	INK MANDREL AND FILTER	1	EX-STOCK	
11	FA350066	QUAD RING 50.17 ID X 5.33	1	EX-STOCK	
12	FA74162	INK AND SOLVENT CAPS SEALS - PACK	10	EX-STOCK	Used in 4800,4900,5900,6800,6900,7300 & 7900 printers.
13	FA74152	MOULDED INK CAP	1	EX-STOCK	Used in 4800,4900,5900,6800,6900,7300 & 7900 printers.
14	FA74094	INK/SOLVENT CAP LABELS - 1240 - PACK	5	EX-STOCK	Each sheet has: 1240 & 3103 ink,blank ink & solvent,1512 solvent,3500 solvent.
15	FA74153	MOULDED SOLVENT CAP	1	EX-STOCK	Used in 4800,4900,5900,6800 6900,7300 & 7900 printers.
16	FA10527	P/HEAD PIPES SEALING GLAND ? INSERT	1	EX-STOCK	
17	FA72091	I/S C/F LOCKNUT & SEALING WASHER	1	EX-STOCK	
18	FA570021	CABLE GLAND M25 NYLON	1	EX-STOCK	
19	FA72132	MK2 SOLVENT FILLER TUBE ASSY	1	EX-STOCK	For use with new cover assemblies.
	FA73201	O - RING SOLVENT FILLER TUBE	1	EX-STOCK	Replaces FA365003.
	FA365003	O - RING 33.87ID X 3.5 EDP		Obsolete	Replaced by FA73201 in the 4800,4900 & 6800 printers.
	FA74150	SOLVENT MANDREL AND FILTER	1	EX-STOCK	
	FA350067	QUAD RING 43.82 ID X 5.33	1	EX-STOCK	
20	FA13005	SOLVENT DIP TUBE ASSEMBLY	1	EX-STOCK	Consumable. See CIJ Scheduled Maintainace document for change frequency.
21	FA13422	FLOAT SWITCH ASSEMBLY	1	EX-STOCK	Used in 4800,4900,5900,6800,6900,7300 & 7900 printers.
22	FA72155	SOLVENT TANK	1	EX-STOCK	Rotationally moulded tank with push-fit barbs.
23	FA74104	45 DEG SINGLE 250 TERMINAL - PACK	50	EX-STOCK	
24	FA74102	SCR M3X8 LG PAN HD POZ SS - PACK	50	EX-STOCK	
25	FA74106	SCREW INSULATOR M3X2 - PACK	50	EX-STOCK	
26	FA74105	UNIFIED FLAT WASHER - PACK	50	EX-STOCK	
27	FA74093	WSH SPRF INT M3 SS - PACK	50	EX-STOCK	
28	FA74097	NUT FULL HEX M3 SS - PACK	50	EX-STOCK	
29	FA72082	4200CE/4800 COMPLETE PUMP ASSY		Obsolete	
30	FA71073	4200/4800 PUMP MOTOR	1	EX-STOCK	
31	FA72101	4200/4800 PUMP HEAD SPARE	1	EX-STOCK	For 4800,4200 & 4200CE. Includes fittings.

# Linx Continuous Ink Jet Printers

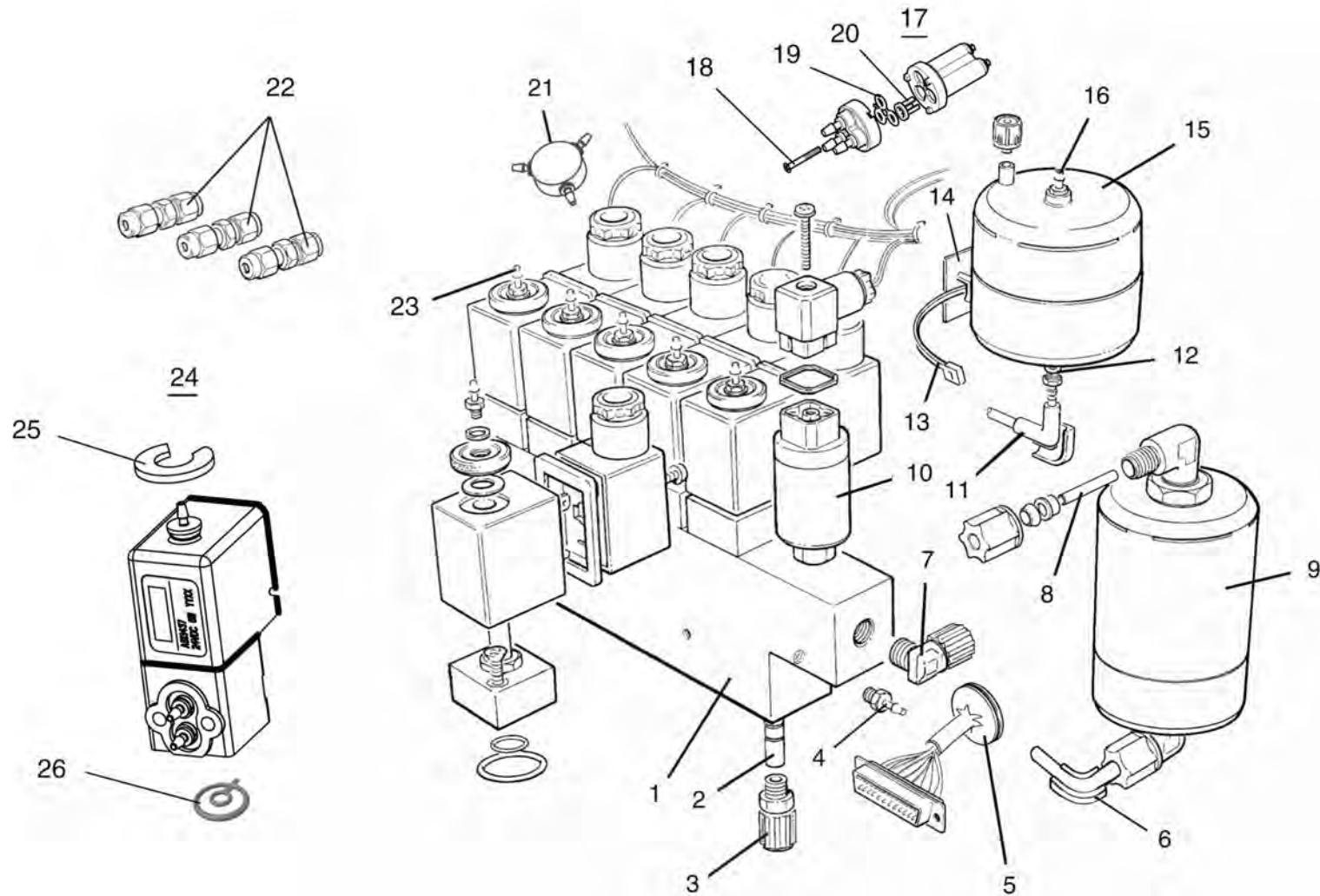
## Section 3 - 4800 Printers - Ink System Assy New Filler Tubes



Item	Part Num	Description	Qty	Availability	Comments
32	FA13109	4800 PUMP SPACER	1	EX-STOCK	
	FA73016	CONN STRT M 1/4BSP SELF SEAL - PACK	10	EX-STOCK	

# Linx Continuous Ink Jet Printers

## Section 3 - 4800 Printers - Ink System Assy Old Manifold



Item	Part Num	Description	Qty	Availability	Comments
1	FA72093	6200/4200CE/4800 MANIFOLD ASSY COMPLETE	1	4 WEEKS	See SB0415 for Issues of 4800 compatibility.
1	FA72094	4000, 5000 MK2, 6000 MANIFOLD ASSY	1	EX-STOCK	Includes damper assembly; does not include valves or pressure transducer.
1	FA10513	MANIFOLD/BARB ASSEMBLY	1	4 WEEKS	White Manifold Block with push fit Barbs only.
	FA77030	SCR M4X6 LG CSK HD POZ SS - PACK		Obsolete	

# Linx Continuous Ink Jet Printers

## Section 3 - 4800 Printers - Ink System Assy Old Manifold



Item	Part Num	Description	Qty	Availability	Comments
2	FA16310	MK2 VENTURI ASSEMBLY	1	EX-STOCK	
	FA16310	MK2 VENTURI ASSEMBLY	1	EX-STOCK	
2	FA73055	VENTURI STAINLESS STEEL	1	EX-STOCK	For use with a Macro printhead in applications requiring increased gutter suction.
2	FA77120	O - RING PACK	10	EX-STOCK	Used in Mk7 printhead filter assembly with Stainless Steel venturi.
3	FA73003	CONN STRT 1/8 BSP SELF SEAL - PACK	10	EX-STOCK	
4	FA73007	A1 BARB STAINLESS STEEL - PACK	10	EX-STOCK	Used with the hexagonal stem solenoid valve MP10469.
5	FA13350	4800 INK SYSTEM CABLEFORM	1	EX-STOCK	Includes ink & solvent float switches, pressure transducer & five valve caps.
6	FA73012	TUBE SUPPORT ELBOW 6MM - PACK	10	EX-STOCK	
7	FA73004	CONN ELBOW 1/8 BSP SELF SEAL - PACK	10	EX-STOCK	
8	FA73011	FILTER TUBE INSERT SS - PACK	10	EX-STOCK	
9	FA73044	MAIN INK FILTER 10 MICRON	1	EX-STOCK	Consumable. See CIJ Scheduled Maintenance document for change frequency.
10	FA200002	PRESSURE TRANSDUCER (HIRSCHMANN CONN)	1	EX-STOCK	4000,4200,4800,5000 Mk2,6000.
10	FA74140	PRESSURE TRANSDUCER BOOT - PACK	20	EX-STOCK	Used in 4800,4900,5900,6000,6200,6800,6900,7300 & 7900 printers.
11	FA79021	TUBE PTFE 6MM OD X 4MM ID NATURAL	5	EX-STOCK	
12	FA73013	SEAL BONDED WSH MILD ST/EPDM - PACK	10	EX-STOCK	Used in old Feed Damper Assy & the hexagonal stem solenoid valve MP10469.
13	FA74022	TIE WRAP EXTRA LARGE - PACK		Obsolete	
14	FA74021	TIE WRAP BASE LRG 25SQ NYLON - PACK		Obsolete	
15	FA72050	FEED DAMPER ASSY	1	EX-STOCK	Consumable. See CIJ Scheduled Maintenance document for change frequency.
16	FA73005	A1 SS BARB LONG THREAD - PACK	10	4 WEEKS	For old Feed Damper Assy only. New assemblies have integral barb.
17	FA20110	3-WAY FLUID CONNECTOR 15 MICRON	1	EX-STOCK	
18	FA74135	M3 X 28 CSK POZ SS SCREW - PACK	10	EX-STOCK	
19	FA74136	GASKET: FLUID CONNECTOR 3-WAY - PACK	10	EX-STOCK	
20	FA74163	3-WAY CONNECTOR REPLACEMENT FILTER 15/25 MICRON	1	EX-STOCK	For use with FA20110 connector. Includes insert/extract tool & gasket.
21	FA73006	MINIATURE BARB Y CONN 1/16 - PACK	10	EX-STOCK	
22	FA65006	TOOLS 1/8 UNION FITTING	1	4 WEEKS	Only for printheads fitted with 1/8" union fitting connectors.
	FA65007	BLANKING SET 1/8 UNION FITTING	3	4 WEEKS	Only for printheads fitted with 1/8" union fitting connectors.
	FA65008	FERRULES 1/8 UNION FITTING - PACK	10	4 WEEKS	Only for printheads fitted with 1/8" union fitting connectors.
	FA73048	PROTECTION CAP SILICONE - PACK		Obsolete	
23	FA73007	A1 BARB STAINLESS STEEL - PACK	10	EX-STOCK	Used with the hexagonal stem solenoid valve MP10469.
24	FA74131	3-WAY VALVE (PLASTIC BASE)	1	EX-STOCK	Refer to Service Bulletin SB0406).
25	FA74121	VALVE C-CLIP PACK - PLASTIC BASE	20	EX-STOCK	For use with plastic base valves.
26	FA74120	VALVE GASKET PACK - PLASTIC BASE	20	EX-STOCK	For use with plastic base valves.

# Linx Continuous Ink Jet Printers

## Section 3 - 4800 Printers - Ink System Assy Old Manifold

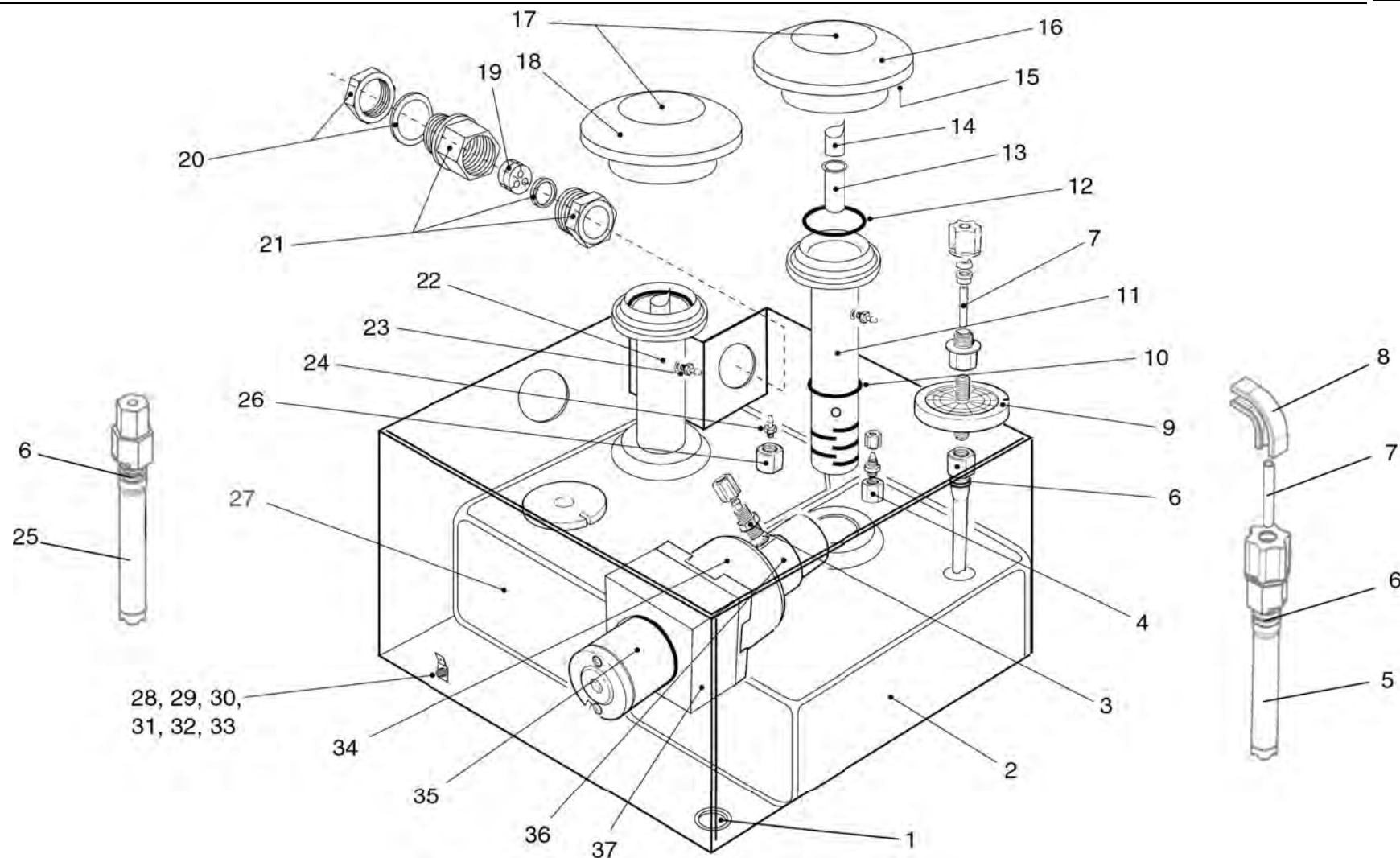


Item	Part Num	Description	Qty	Availability	Comments
	FA74119	SCR M3 X 25 CSK POZ (PLASTIC BASE) PK	20	EX-STOCK	For use with plastic base valves.
	FA79018	TUBE PTFE 1/8 OD X 1/16 ID NATURAL	5	EX-STOCK	Gutter line & manifold.
	FA79019	TUBE PTFE 1/8 OD X 1/16 ID BLUE	5	EX-STOCK	Purge line.
	FA79020	TUBE PTFE 1/8 OD X 1/16 ID RED	5	EX-STOCK	Feed line.
	FA100007	TUBE PTFE 6 OD X 4 ID COIL 25 ID X 5M LG	5	EX-STOCK	
	FA79022	TUBE PTFE 3/16 OD X 1/8 ID NATURAL	5	EX-STOCK	
	FA72041	EXTENDED FLUSH UPGRADE ACCESSORY		Obsolete	
	FA74005	DAMPER DRAIN TUBE	1	EX-STOCK	Used to drain the ink system.
	FA69012	LUBRICANT SMALL - MAIN FILTER		Obsolete	
	FA160019	STOP COCK 2-WAY LUER	1	4 WEEKS	Use with Damper Drain Tube FA74005.
	FA940024	D CONN FITTING TOOL		Obsolete	



# Linx Continuous Ink Jet Printers

## Section 3 - 4800 Printers - Ink System Assy Old Filler Tubes



Item	Part Num	Description	Qty	Availability	Comments
1	FA73182	I/S DRAIN PLUG M12 - PACK	10	EX-STOCK	Ink tray drain plug.
2	FA72156	INK TANK	1	EX-STOCK	Rotationally moulded tank with push-fit barbs.
3	FA73003	CONN STRT 1/8 BSP SELF SEAL - PACK	10	EX-STOCK	
4	FA73016	CONN STRT M 1/4BSP SELF SEAL - PACK	10	EX-STOCK	

# Linx Continuous Ink Jet Printers

## Section 3 - 4800 Printers - Ink System Assy Old Filler Tubes



Item	Part Num	Description	Qty	Availability	Comments
5	FA13004	INK DIP TUBE ASSEMBLY	1	EX-STOCK	Consumable. See CIJ Scheduled Maintainace document for change frequency.
6	FA73014	O - RING 7.66 X 1.78 EPDM - PACK	10	EX-STOCK	
7	FA73011	FILTER TUBE INSERT SS - PACK	10	EX-STOCK	
8	FA73012	TUBE SUPPORT ELBOW 6MM - PACK	10	EX-STOCK	
9	FA320003	FILTER PRE-PUMP	1	EX-STOCK	For use with dip tube FA72085 or FA72056. Not required with FA13004.
10	FA73017	O - RING 26.6 X 2.62 EPDM - PACK	10	EX-STOCK	Two are used to provide the seal between the filler tube & the ink or solvent tank.
11	FA73059	4800 INK FILLER TUBE ASSY	1	EX-STOCK	Only for use with old style top cover assemblies.
12	FA73200	O - RING INK FILLER TUBE	1	EX-STOCK	Replaces FA365002.
12	FA365002	O-RING FILL TUBE BS223 FEP/SIL CORE		Obsolete	Replaced by FA73200 in the 4800,4900 & 6800 printers.
13	FA10512	4200CE INK FILLER TUBE INSERT	1	EX-STOCK	
14	FA10109	4000 BOTTLE PIERCE	1	Last stock	4000/4200 & 4200CE.
15	FA74114	4800 INK AND SOLVENT CAPS SEALS - PACK	10	EX-STOCK	Seal fitted to neck of filler cap.
16	FA73061	4800 INK FILLER CAP	1	EX-STOCK	Includes O-ring seal.
17	FA74094	INK/SOLVENT CAP LABELS - 1240 - PACK	5	EX-STOCK	Each sheet has: 1240 & 3103 ink,blank ink & solvent,1512 solvent,3500 solvent.
18	FA74167	4800 SOLVENT FILLER CAP (38MM BOTTLE)	1	EX-STOCK	For filler tubes fitted with the 38 mm bottle adapter. Includes O-ring seal.
19	FA73062	4800 SOLVENT FILLER CAP (45MM BOTTLE)	1	EX-STOCK	Includes O-ring seal.
20	FA10527	P/HEAD PIPES SEALING GLAND ? INSERT	1	EX-STOCK	
21	FA72091	I/S C/F LOCKNUT & SEALING WASHER	1	EX-STOCK	
21	FA570021	CABLE GLAND M25 NYLON	1	EX-STOCK	
22	FA73058	4800 SOLVENT FILLER TUBE ASSY	1	EX-STOCK	Only for use with old style top cover assemblies.
23	FA72137	4800 SOLVENT BOTTLE ADAPTER & CAP	1	EX-STOCK	To use new 38 mm neck solvent bottles instead of old 45 mm neck.
24	FA73015	INK SYSTEM C1 BARB FITTING NYLON - PACK	10	EX-STOCK	
	FA73007	A1 BARB STAINLESS STEEL - PACK	10	EX-STOCK	Used with the hexagonal stem solenoid valve MP10469.
25	FA13005	SOLVENT DIP TUBE ASSEMBLY	1	EX-STOCK	Consumable. See CIJ Scheduled Maintainace document for change frequency.
26	FA74083	O-RING 4.47 X 1.78 EPDM - PACK	10	EX-STOCK	Used on solvent dip tube in-line filter.
27	FA72155	SOLVENT TANK	1	EX-STOCK	Rotationally moulded tank with push-fit barbs.
28	FA74104	45 DEG SINGLE 250 TERMINAL - PACK	50	EX-STOCK	
29	FA74102	SCR M3X8 LG PAN HD POZ SS - PACK	50	EX-STOCK	
30	FA74106	SCREW INSULATOR M3X2 - PACK	50	EX-STOCK	
31	FA74105	UNIFIED FLAT WASHER - PACK	50	EX-STOCK	
32	FA74093	WSH SPRF INT M3 SS - PACK	50	EX-STOCK	
33	FA74097	NUT FULL HEX M3 SS - PACK	50	EX-STOCK	

# Linx Continuous Ink Jet Printers

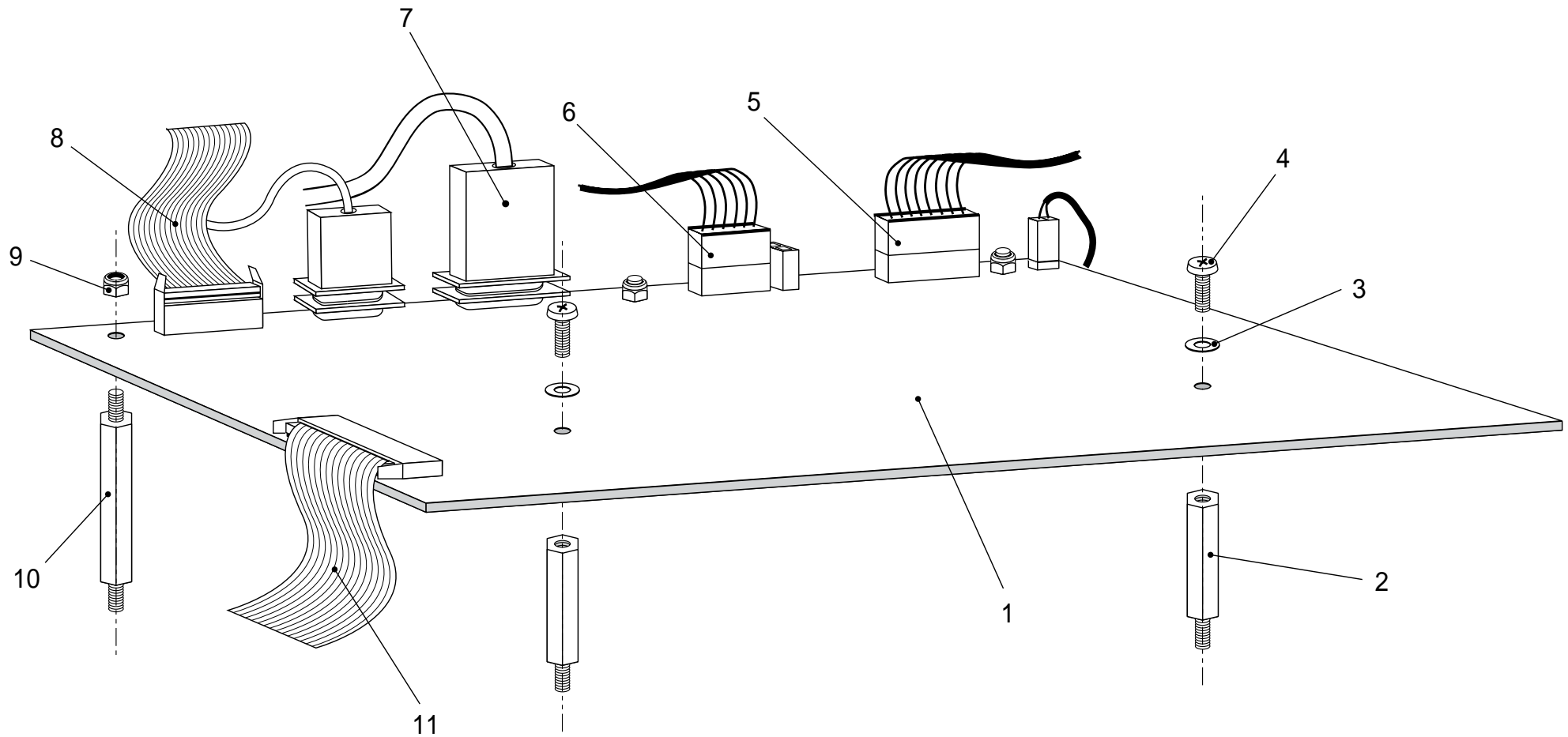
## Section 3 - 4800 Printers - Ink System Assy Old Filler Tubes



Item	Part Num	Description	Qty	Availability	Comments
34	FA72082	4200CE/4800 COMPLETE PUMP ASSY		Obsolete	
35	FA71073	4200/4800 PUMP MOTOR	1	EX-STOCK	
36	FA72101	4200/4800 PUMP HEAD SPARE	1	EX-STOCK	For 4800,4200 & 4200CE. Includes fittings.
37	FA13109	4800 PUMP SPACER	1	EX-STOCK	

# Linx Continuous Ink Jet Printers

## Section 3 - 4800 Printers - Electronics Assembly



Item	Part Num	Description	Qty	Availability	Comments
1	FA70076	4800 IPM PCB + SOFTWARE	1	EX-STOCK	Includes hardwired software.
1	FA70077	4800 XTRA IPM PCB		Obsolete	
1	FA71057	4800 XTRA UPGRADE		Obsolete	
2	FA74089	PILLAR BRASS 35MM M4 - PACK	10	EX-STOCK	
3	FA74087	WASHER SPRF INT M4 SS - PACK	50	EX-STOCK	

# Linx Continuous Ink Jet Printers

## Section 3 - 4800 Printers - Electronics Assembly



Item	Part Num	Description	Qty	Availability	Comments
4	FA74086	SCREW M4X6 LG PAN HD POZ SS - PACK	50	EX-STOCK	
5	FA13351	4800 PSU CABLEFORM	1	EX-STOCK	
6	FA16111	4800 300 V EARTHED C/F	1	EX-STOCK	
7	FA13350	4800 INK SYSTEM CABLEFORM	1	EX-STOCK	Includes ink & solvent float switches,pressure transducer & five valve caps.
8	FA13349	4800 PHOTOCELL CABLEFORM	1	EX-STOCK	
9	FA74112	M4 NYLOC NUT - PACK	50	EX-STOCK	
10	FA74088	HEXAGONAL PILLAR M4X57 - PACK	10	EX-STOCK	
11	FA13353	DISPLAY CABLEFORM	1	EX-STOCK	